

Air Flow Solutions



Residential Fans Ventilation for the home



RESIDENTIAL FANS



HEAT RECOVERY



INDUSTRIAL FANS



ACCESSORIES

Residential Fans



Why Ventilate?

AIRFLOW fans meet/exceed the requirements of the latest Building Regulations helping to combat the harmful effects of dampness and condensation and by extracting airborne pollutants such as odours, cooking smells,

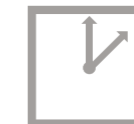
humid and stale air. The potential hazards to health for occupants and possible damage to the fabric of the building can be largely eliminated.

Short key Functions



BASIC
SWITCHING

Fan operates by remote switch



TIMER

Adjustable timer overrun



PULLCORD

Manual on/off control by integral pull cord



MOTION SENSOR

Passive infra red activation



CV
CONTINUOUS VENTILATION

Continuous ventilation at trickle speeds



DELAY START
2 MINS

Delay start for 2 minutes



TWO SPEED

Two speed operation



SELV

Safety Extra Low Voltage



HUMIDITY

Adjustable humidity setting

Aura eco 100

Toilet, en-suite and bathroom ventilation



Key Features

- Axial fan
- Ventilation up to 70 m³/hr
- Slim compact styling
- Quick and easy to fit
- Quiet - 26 dB(A)
- Low watt motor - 5.6w
- Low SFP - 0.29 W/l/s
- Compatible with 100mm ducting
- IPX4 rating
- Complies with Building Regulations
- 3 year warranty

Aura eco 100

Highly reliable, low energy fan in a modular design for ease of installation and maintenance. The Aura eco 100 is designed to provide quiet extraction in a suitable application.

The fan comes in various control options and is recessed into the wall. The Aura range of fans are slim, compact, attractively styled, are easy to wipe clean and are ideal for through the wall installations.



Models

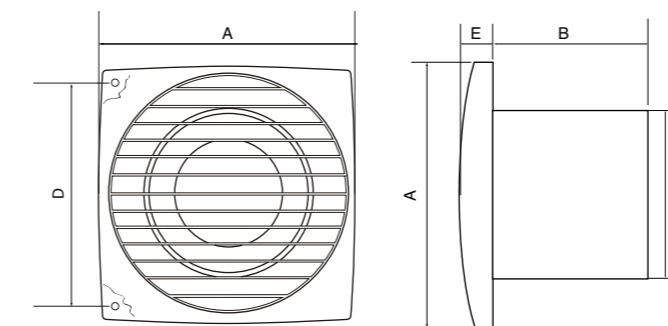
Basic	Control by Remote Switch
Timer	Timer can be set to run on between 2 and 30 minutes
Humidity Timer	Humidity sensor can be set between 60 - 90% RH
Motion Sensor Timer	PIR sensor activates fan



Technical Data

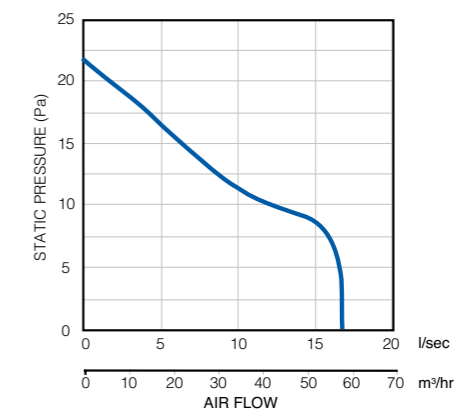
Specification	Aura eco 100B	Aura eco 100T	Aura eco 100HT	Aura eco 100MST
Air flow m ³ /hr / l/sec	70 / 19	70 / 19	70 / 19	70 / 19
Fan type	Axial	Axial	Axial	Axial
Controls	Basic	Timer	Humidity Timer	Motion Sensor Timer
Mounting	Wall / Ceiling	Wall / Ceiling	Wall / Ceiling	Wall / Ceiling
Sound pressure dB(A)@3m	26	26	26	26
Power watts	5.6	5.6	5.6	5.6
Amps	0.035	0.035	0.035	0.035
Specific Fan Power (SFP)	0.29	0.29	0.29	0.29
Duct diameter (mm)	100	100	100	100
Voltage	230v / 1ph / 50-60Hz	230v / 1ph / 50-60Hz	230v / 1ph / 50-60Hz	230v / 1ph / 50-60Hz
Rating	IPX4	IPX4	IPX4	IPX4
Material finish	Plastic	Plastic	Plastic	Plastic
Weight (kg)	0.56	0.56	0.56	0.56
Dimensions (H x W x D) mm	150 x 150 x 102	150 x 150 x 102	150 x 150 x 102	150 x 150 x 102
Part No.	9041347	9041348	9041349	9041350

Dimensions (mm)



Model	A	B	C	D	E
Aura eco 100	150	102	100	122	17

Performance



Controls and Accessories

A range of accessories including flexible and rigid ducting kits, controls, switches and grilles are available.

See accessories for more details.



Aura eco 125

Toilet, en-suite and bathroom ventilation



Key Features

- Axial fan
- Ventilation up to 115 m³/hr
- Slim compact styling
- Quick and easy to fit
- Quiet - 31 dB(A)
- Low watt motor - 9.3w
- Low SFP - 0.3 W/l/s
- Compatible with 125mm ducting
- IPX4 rating
- Complies with Building Regulations
- 3 year warranty

Aura eco 125

Highly reliable, low energy fan in a modular design for ease of installation and maintenance. The Aura eco 125 is designed to provide quiet extraction in a suitable application.

The fan comes in various control options and is recessed into the wall. The Aura range of fans are slim, compact, attractively styled, are easy to wipe clean and are ideal for through the wall installations.



Models

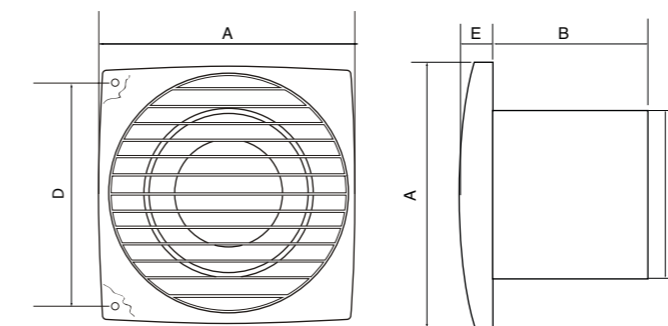
Basic	Control by Remote Switch
Timer	Timer can be set to run on between 2 and 30 minutes
Humidity Timer	Humidity sensor can be set between 60 - 90% RH
Motion Sensor Timer	PIR sensor activates fan



Technical Data

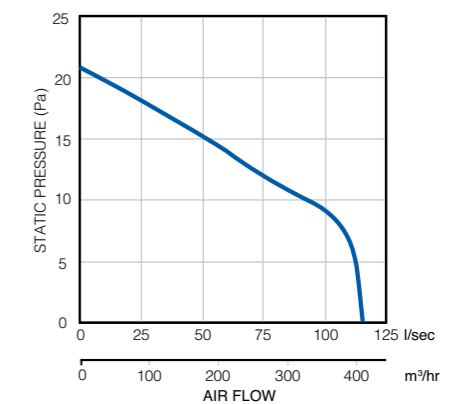
Specification	Aura eco 125B	Aura eco 125T	Aura eco 125HT	Aura eco 125MST
Air flow m³/hr / l/sec	115 / 31	115 / 31	115 / 31	115 / 31
Fan type	Axial	Axial	Axial	Axial
Controls	Basic	Timer	Humidity Timer	Motion Sensor Timer
Mounting	Wall / Ceiling	Wall / Ceiling	Wall / Ceiling	Wall / Ceiling
Sound pressure dB(A)@3m	31	31	31	31
Power watts	9.3	9.3	9.3	9.3
Amps	0.060	0.060	0.060	0.060
Specific Fan Power (SFP)	0.30	0.30	0.30	0.30
Duct diameter (mm)	125	125	125	125
Voltage	230v / 1ph / 50-60Hz	230v / 1ph / 50-60Hz	230v / 1ph / 50-60Hz	230v / 1ph / 50-60Hz
Rating	IPX4	IPX4	IPX4	IPX4
Material finish	Plastic	Plastic	Plastic	Plastic
Weight (kg)	0.7	0.7	0.7	0.7
Dimensions (H x W x D) mm	176 x 176 x 104	176 x 176 x 104	176 x 176 x 104	176 x 176 x 104
Part No.	90000532	90000533	90000534	90000535

Dimensions (mm)



Model	A	B	C	D	E
Aura eco 125	176	87	125	144	19

Performance



Controls and Accessories

A range of accessories including flexible and rigid ducting kits, controls, switches and grilles are available.

See accessories for more details.

Aura eco 150

Larger bathroom, utility room and kitchen ventilation (adjacent to hob)

Key Features



- Axial fan
- Ventilation up to 235 m³/hr
- Slim compact styling
- Quick and easy to fit
- Quiet - 35 dB(A)
- Low watt motor - 20w
- Low SFP - 0.31 W/l/s
- Compatible with 150mm ducting
- IPX4 rating
- Complies with Building Regulations
- 3 year warranty



Aura eco 150 range

Highly reliable, low energy fan in a modular design for ease of installation and maintenance. The Aura eco 150 is designed to provide quiet extraction in a suitable application.

The fan comes in various control options and is recessed into the wall or ceiling. The Aura range of fans are slim, compact, attractively styled, are easy to wipe clean and can be ducted over short lengths.



Models

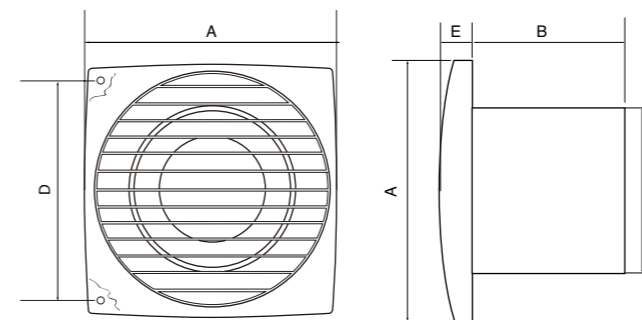
Basic	Control by Remote Switch
Timer	Timer can be set to run on between 2 and 30 minutes
Humidity Timer	Humidity sensor can be set between 60 - 90% RH
Motion Sensor Timer	PIR sensor activates the fan



Technical Data

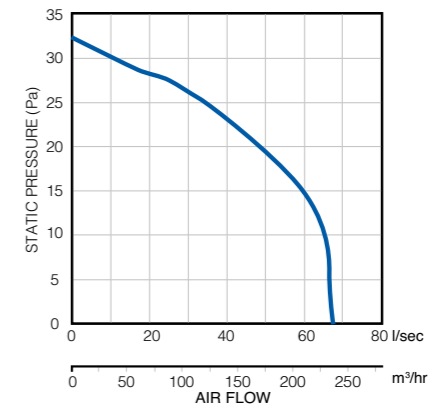
Specification	Aura eco 150B	Aura eco 150T	Aura eco 150HT	Aura eco 150MST
Air flow m ³ /hr / l/sec	235 / 65	235 / 65	235 / 65	235 / 65
Fan type	Axial	Axial	Axial	Axial
Controls	Basic	Timer	Humidity Timer	Motion Sensor Timer
Mounting	Wall / Ceiling	Wall / Ceiling	Wall / Ceiling	Wall / Ceiling
Sound pressure dB(A)@3m	35	35	35	35
Power watts	20	20	20	20
Amps	0.14	0.14	0.14	0.14
Specific Fan Power (SFP)	0.31	0.31	0.31	0.31
Duct diameter (mm)	150	150	150	150
Voltage	230v / 1ph / 50-60Hz	230v / 1ph / 50-60Hz	230v / 1ph / 50-60Hz	230v / 1ph / 50-60Hz
Rating	IPX4	IPX4	IPX4	IPX4
Material finish	Plastic	Plastic	Plastic	Plastic
Weight (kg)	0.9	0.9	0.9	0.9
Dimensions (H x W x D) mm	205 x 205 x 124	205 x 205 x 124	205 x 205 x 124	205 x 205 x 124
Part No.	9041351	9041352	9041353	9041354

Dimensions (mm)



Model	A	B	C	D	E
Aura eco 150	205	124	150	174	19

Performance



Controls and Accessories

A range of accessories including flexible and rigid ducting kits, controls, switches and grilles are available.

See accessories for more details.

Aura In-Line

Toilet, en-suite and bathroom ventilation



Key Features

- Axial in-line fan
- Ventilation up to 108 m³/hr
- Designed for ventilation of small and medium size rooms
- Use for both supply or extraction
- Compact and quiet in operation
- Mounting bracket included
- Ductable
- IPX4 rating
- 3 year warranty

Aura In-Line range

Highly reliable fan in a modular design for ease of installation and maintenance. Aura In-Line Fans are designed to provide extraction levels that comply with the latest Building Regulations.

The fans are manually operated by a remote switch (switch not supplied). Timer control versions are also available. Install in-line with ducting for a quiet and discreet installation.

The Aura in-line fan comes with a fixing bracket and is compact, attractively styled and ductable over short lengths. They are the ideal solution for removing damp moist air, odours and airborne pollutants from toilets and bathrooms.



ALWAYS PULL FLEXIBLE DUCTING TAUGHT TO ENSURE INSTALLED PERFORMANCE AIR FLOW.



Models

- Basic** Control by Remote Switch
- Timer** Timer can be set to run on between 2 and 30 minutes

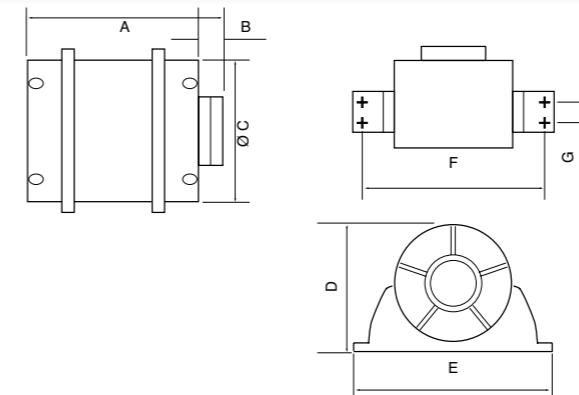


Technical Data

Specification	Aura In-Line 100B	Aura In-Line 100T
Air flow m³/hr* / l/sec*	108 / 30	108 / 30
Fan type	Axial	Axial
Controls	Basic	Timer
Mounting	In-Line	In-Line
Sound pressure dB(A)@3m	39	39
Power watts	16	16
Amps	0.1	0.1
Specific Fan Power (SFP)	0.53	0.53
Duct diameter (mm)	100	100
Voltage	230v / 1ph / 50Hz	230v / 1ph / 50Hz
Rating	IPX4	IPX4
Material finish	ABS	ABS
Weight (kg)	0.41	0.41
Dimensions (H x W x D) mm	110 x 160 x 113	110 x 160 x 113
Part No.	9041355	9041356

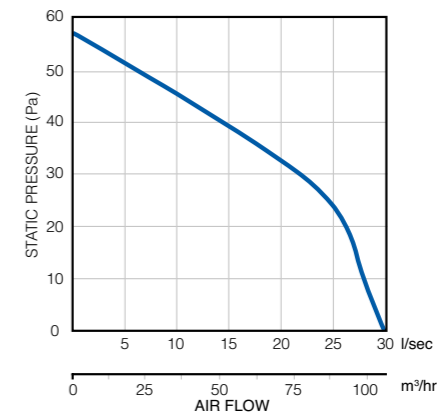
* Air flow at free discharge

Dimensions (mm)



Model	A	B	C	D	E	F	G
Aura in-line 100	85	28	100	110	160	144	29

Performance



Controls and Accessories

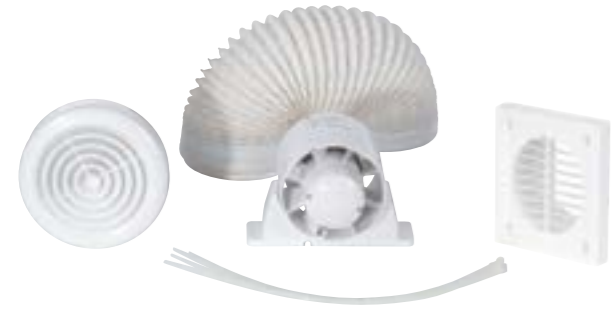
A range of accessories including flexible and rigid ducting kits, controls, switches and grilles are available.

See accessories for more details.



Aura Shower Kit

Shower ventilation



Key Features

- Axial in-line fan
- Ventilation up to 108 m³/hr
- Designed for ventilation / lighting above shower cubicles
- Use for both supply or extraction
- Compact and quiet in operation
- Mounting bracket included
- Ductable
- Halogen lamp option
- IPX4 rating
- 3 year warranty

Aura Shower Kit range

Highly reliable fan in a modular design for ease of installation and maintenance. Aura In-Line Fans are designed to provide extraction levels that comply with the latest Building Regulations.

The fans are manually operated by a remote switch (switch not supplied). Timer control versions are also available. Install in-line with ducting for a quiet and discreet installation.

The Aura in-line fan comes with a fixing bracket and is compact, attractively styled and ideal for short duct runs. They are the ideal solution for removing damp moist air, odours and airborne pollutants from toilets and bathrooms.



ALWAYS PULL FLEXIBLE DUCTING TAUGHT TO ENSURE INSTALLED PERFORMANCE AIR FLOW.



Models

- Basic** Control by Remote Switch
- Timer** Timer can be set to run on between 2 and 30 minutes

Contents of Kits

- 9041420** Aura 100B, 3m flex duct, ties, extract valve, external grille
- 9041419** Aura 100T, 3m flex duct, ties, extract valve, external grille
- 9041422** Aura 100B, 3m flex duct, ties, halogen lamp + chrome and white grilles, external grille
- 9041421** Aura 100T, 3m flex duct, ties, halogen lamp + chrome and white grilles, external grille

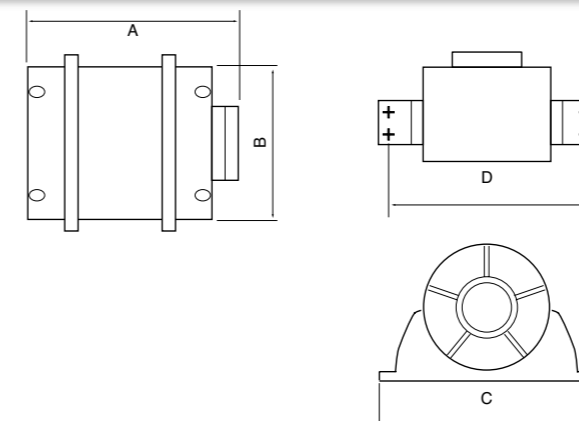


Technical Data

Specification	Aura Shower Kit	Aura T Shower Kit	Aura Shower Kit with Hallogen Lamp	Aura T Shower Kit with Hallogen Lamp
Air flow m ³ /hr* / l/sec*	108 / 30	108 / 30	108 / 30	108 / 30
Fan type	Axial	Axial	Axial	Axial
Controls	Basic	Timer (adjustable)	Basic	Timer (adjustable)
Mounting	In-Line	In-Line	In-Line	In-Line
Sound pressure dB(A)@3m	39	39	39	39
Power watts	16	16	16	16
Amps	0.01	0.01	0.01	0.01
Specific Fan Power (SFP)	0.53	0.53	0.53	0.53
Duct diameter (mm)	100	100	100	100
Voltage	230v / 1ph / 50Hz	230v / 1ph / 50Hz	230v / 1ph / 50Hz	230v / 1ph / 50Hz
Rating	IPX4	IPX4	IPX4	IPX4
Material finish	ABS	ABS	ABS	ABS
Weight (kg)	0.41	0.41	0.41	0.41
Dimensions (H x W x D) mm	110 x 160 x 113	110 x 160 x 113	110 x 160 x 113	110 x 160 x 113
Part No.	9041420	9041419	9041422	9041421

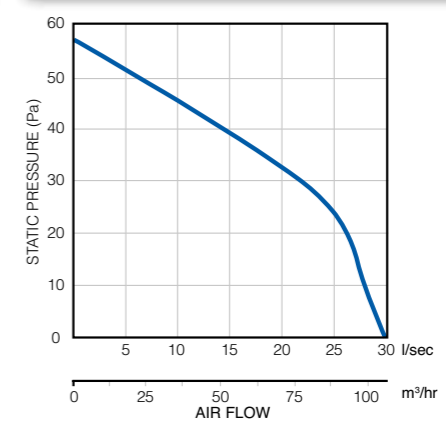
* Air flow at free discharge

Dimensions (mm)



Model	A	B	C	D
Aura shower kit	110	113	160	144

Performance



Controls and Accessories

A range of accessories including flexible and rigid ducting kits, controls, switches and grilles are available.

See accessories for more details.



QuietAir QT100

Toilet, bathroom and en-suite ventilation



Key Features

- Axial fan
- Two speed ventilation up to 90 m³/hr*
- Awarded Quiet Mark by Noise Abatement Society
- Extremely quiet, noise levels as low as 25 dB(A)
- Power consumption from only 5w
- Interval timer for routine auto extraction
- Very low SFP of 0.24 W/l/s
- Long life ball-bearing motor 40,000 hours
- Integral flow straightener / backdraught flap
- Powerful extraction for longer ducts
- Suitable for installation anywhere in Zone 1 of bathrooms when installed with an RCD
- IP45 rating
- Complies with Building Regulations
- 3 year warranty



QT100 range

The whisper quiet QuietAir QT100 is designed to provide powerful extraction levels that exceed the requirements of the latest Building Regulations.

The QuietAir QT100 is the quietest fan available complying with Building Regulations "Installed Performance" requirements when ducted.

QuietAir is a range of elegant, discreet axial fans that are extremely quiet with various control options that activate the fan only when needed – remote switching,

timer, humidity timer and motion sensor with timer. By using exceptionally low energy this helps to reduce carbon emissions and also save on your energy bills. It has a high efficiency impeller for extraction through up to 12m of rigid ducting and still complies with the Building Regulations.

Room refresh (interval timer) enables automatic extraction at pre-set times if required.



Models

Basic	Control by remote switch
Timer	Timer can be set to run on for 6,10,15 or 21 minutes
Humidity Timer	Humidity sensor can be set between 60 - 90% RH
Motion Sensor Timer	PIR sensor activates fan

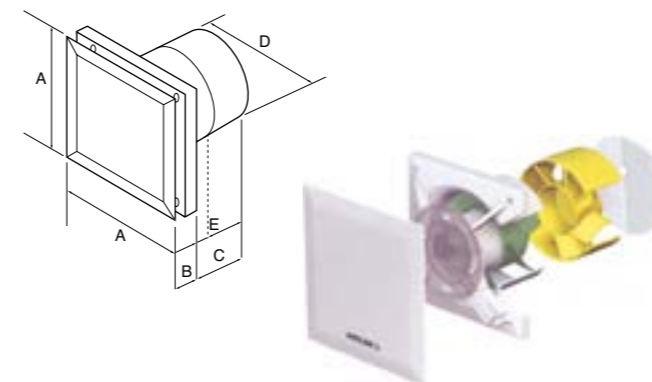


Technical Data

Specification	QuietAir QT100B	QuietAir QT100T	QuietAir QT100HT	QuietAir QT100MST
Air flow m ³ /hr*	75 / 90	75 / 90	75 / 90	75 / 90
Air flow l/sec*	21 / 25	21 / 25	21 / 25	21 / 25
Fan type	Axial	Axial	Axial	Axial
Controls	Basic	Timer	Humidity Timer	Motion Sensor Timer
Mounting	Wall / Ceiling	Wall / Ceiling	Wall / Ceiling	Wall / Ceiling
Sound pressure dB(A)@3m	25/30	25/30	25/30	25/30
Delay start (min)	No	2	2	No
Adjustable timer (min)	No	6,10,15,21	6,10,15,21	15
Adjustable humidity (%RH)			60 - 90	
Interval timer, auto start (hrs)		0,8,12,24		
Power watts	5/9	5/9	5/9	5/9
Amps	0.04/0.06	0.04/0.06	0.04/0.06	0.04/0.06
Specific Fan Power (SFP)	0.24	0.24	0.24	0.24
Building Regulations ADF	Yes	Yes	Yes	Yes
Duct Diameter (mm)	100	100	100	100
Voltage	230v / 1ph / 50-60Hz	230v / 1ph / 50-60Hz	230v / 1ph / 50-60Hz	230v / 1ph / 50-60Hz
Rating	IP45	IP45	IP45	IP45
Max ambient temperature	40°C	40°C	40°C	40°C
Weight (kg)	0.8	0.8	0.8	0.8
Dimensions (H x W x D) mm	147 x 147 x 131	147 x 147 x 131	147 x 147 x 131	147 x 147 x 131
Part No.	9041259	9041260	9041261	9041262

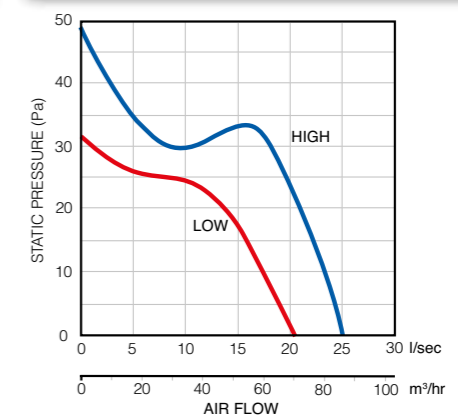
* 2nd Speed activated by remote switch

Dimensions (mm)



Model	A	B	C	D	E
QuietAir QT100	147	35	96	98	52

Performance



Controls and Accessories

A range of accessories including flexible and rigid ducting kits, controls, switches and grilles are available.

See accessories for more details.

QuietAir QT120

Toilet, bathroom, utility room and kitchen (adjacent to hob)

Key Features

- Axial fan
- Two speed ventilation up to 170 m³/hr*
- Awarded Quiet Mark by Noise Abatement Society
- Quiet, noise level as low as 32 dB(A)
- Power consumption from only 10w
- Very low SFP of 0.24 W/l/s, IP45 rating
- Interval timer for routine auto extraction
- Long life ball-bearing motor 40,000 hours
- Integral flow straightener / backdraught flap
- Powerful extraction for longer ducts
- Suitable for installation anywhere in Zone 1 of bathrooms when installed with an RCD
- Install in a kitchen adjacent to the hob
- Complies with Building Regulations
- 3 year warranty



QT120 range

The powerful performance QuietAir 120 is designed to provide extraction levels that exceed the requirements of the latest Building Regulations.

QuietAir, is a range of elegant, discreet axial fans that are supremely quiet. By using exceptionally low energy they help to reduce carbon emissions but also save on your electricity bill.

Operated by a range of control options including basic switching, timer, humidity and motion sensor control.

Room refresh (interval timer) enables automatic extraction at pre-set times if required.



Models

- Basic** Control by remote switch
- Timer** Timer can be set to run on for 6,10,15 or 21 minutes
- Humidity Timer** Humidity sensor can be set between 60 - 90% RH
- Motion Sensor Timer** PIR sensor activates fan

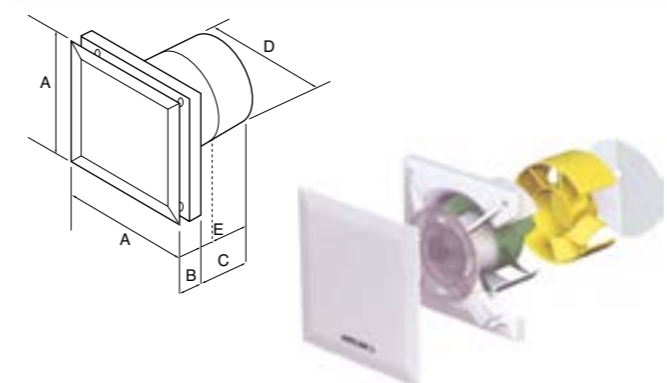


Technical Data

Specification	QuietAir QT120B	QuietAir QT120T	QuietAir QT120HT	QuietAir QT120MST
Air flow m ³ /hr*	150 / 170	150 / 170	150 / 170	150 / 170
Air flow l/sec*	42 / 47	42 / 47	42 / 47	42 / 47
Fan type	Axial	Axial	Axial	Axial
Controls	Basic	Timer	Humidity Timer	Motion Sensor Timer
Mounting	Wall / Ceiling	Wall / Ceiling	Wall / Ceiling	Wall / Ceiling
Sound pressure dB(A)@3m	32/36	32/36	32/36	32/36
Delay start (min)	No	2	2	No
Adjustable timer (min)	No	6,10,15,21	6,10,15,21	15
Adjustable humidity (%RH)	-	-	60 - 90	-
Interval timer, auto start (hrs)	-	0,8,12,24	-	-
Power watts	10/13	10/13	10/13	10/13
Amps	0.08/0.09	0.08/0.09	0.08/0.09	0.08/0.09
Specific Fan Power (SFP)	0.24	0.24	0.24	0.24
Building Regulations ADF	Yes	Yes	Yes	Yes
Duct Diameter (mm)	125	125	125	125
Voltage	230v / 1ph / 50-60Hz	230v / 1ph / 50-60Hz	230v / 1ph / 50-60Hz	230v / 1ph / 50-60Hz
Rating	IP45	IP45	IP45	IP45
Max ambient temperature	40°C	40°C	40°C	40°C
Weight (kg)	1.05	1.05	1.05	1.05
Dimensions (H x W x D) mm	176 x 176 x 155	176 x 176 x 155	176 x 176 x 155	176 x 176 x 155
Part No.	9041497	9041498	9041499	9041500*

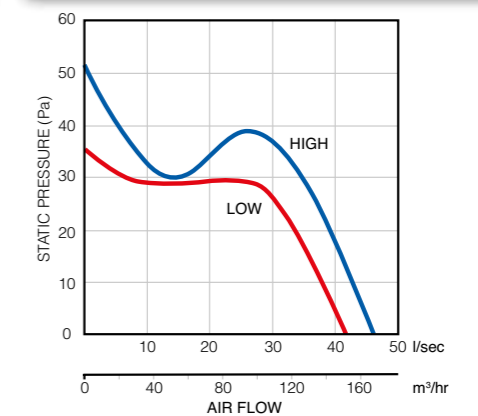
* 2nd Speed activated by remote switch

Dimensions (mm)



Model	A	B	C	D	E
QuietAir QT120	176	39	116	118	70

Performance



Controls and Accessories

A range of accessories including flexible and rigid ducting kits, controls, switches and grilles are available.

See accessories for more details.

QuietAir QT150

Kitchen



Key Features

- Axial fan
- Two speed ventilation up to 260 m³/hr
- Quiet, noise level as low as 35 dB(A)
- Power consumption from only 6w
- Very low SFP of 0.09 W/l/s, IP45 rating
- Interval timer for routine auto extraction
- Long life ball-bearing motor 40,000 hours
- Integral flow straightener / backdraught flap
- Powerful extraction for longer ducts
- Variable speed control version
- Install in a kitchen / light commercial
- Complies with Building Regulations
- 3 year warranty



QT150 range

The powerful performance QuietAir 150 is designed to provide extraction levels that exceed the requirements of the latest Building Regulations. Ideal for kitchens and larger rooms.

QuietAir, is a range of elegant, discreet axial fans that are supremely quiet. By using exceptionally low energy they help to reduce carbon emissions but also save on your electricity bill.

Operated by a range of control options including basic switching, timer, humidity and variable speed control.

Room refresh (interval timer) enables automatic extraction at pre-set times if required.



Models

Basic	Control by remote switch
Timer	Timer can be set to run on for 6,10,15 or 21 minutes
Humidity Timer	Humidity sensor can be set between 60 - 90% RH
Variable speed	Controlled by remote switch

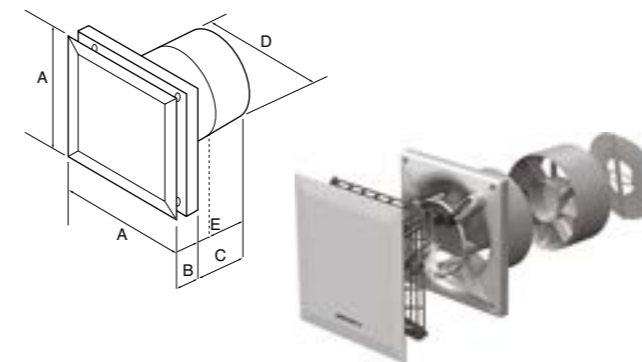


Technical Data

Specification	QuietAir QT150B	QuietAir QT150T	QuietAir QT150HT	QuietAir QT150VS
Air flow m ³ /hr*	220 / 260	220 / 260	220 / 260	50 - 260
Air flow l/sec*	61 / 72	61 / 72	61 / 72	13 - 72
Fan type	Axial	Axial	Axial	Axial
Controls	Basic	Timer	Humidity Timer	Variable Speed
Mounting	Wall / Ceiling	Wall / Ceiling	Wall / Ceiling	Wall / Ceiling
Sound pressure dB(A)@3m	35/39	35/39	35/39	35/39
Delay start (sec's)	No	0,45,90,120	0,45,90,120	No
Adjustable timer (mins)	No	6,10,15,21	6,10,15,21	No
Adjustable humidity (%RH)	-	-	60 - 90	-
Interval timer, auto start (hrs)	-	0,8,12,24	-	-
Power watts	6/10	6/10	6/10	6/10
Amps	0.07/0.12	0.07/0.12	0.07/0.12	0.07/0.12
Specific Fan Power (SFP)	0.09/0.13	0.09/0.13	0.09/0.13	0.09/0.13
Building Regulations ADF	Yes	Yes	Yes	Yes
Duct Diameter (mm)	145	145	145	145
Voltage	230v / 1ph / 50Hz	230v / 1ph / 50Hz	230v / 1ph / 50Hz	230v / 1ph / 50Hz
Rating	IP45	IP45	IP45	IP45
Max ambient temperature	40°C	40°C	40°C	40°C
Weight (kg)	1.2	1.2	1.2	1.2
Dimensions (H x W x D) mm	210 x 210 x 190	210 x 210 x 190	210 x 210 x 190	210 x 210 x 190
Part No.	90000454	90000455	90000456	90000458
Variable speed controller				90000514*

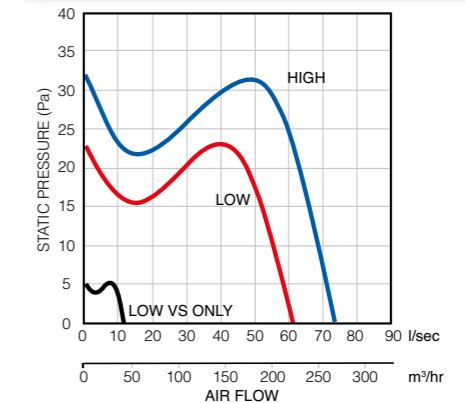
* refer to accessories section.

Dimensions (mm)



Model	A	B	C	D	E
QuietAir QT150	210	48	142	145	76

Performance



Controls and Accessories

A range of accessories including flexible and rigid ducting kits, controls, switches and grilles are available.

See accessories for more details.

Maxivent eco

Larger bathroom, utility room and kitchen



Key Features

- Axial fan
- High performance fan up to 260 m³/hr
- Easy to fit and clean
- Can be mounted in the wall or ceiling
- Interchangeable fixing holes to easily replace most other 150mm fans
- Variable speed controller available
- Thermally protected motor
- Low watt motor 28w
- Low SFP - 0.38 W/l/s
- Silent automatic shutter
- IP45 rating
- Complies with Building Regulations
- 3 year warranty



Maxivent eco range

Highly reliable and powerful axial fan in a modular design for ease of installation and maintenance. Maxivent is designed to provide extraction levels that comply with the latest Building Regulations.

Maxivent fans offer quiet powerful performance in units equipped with auto shutters. These stylish, modern 150mm axial fans will blend comfortably with existing décor and are quick and easy to install. They are the ideal solution for removing damp moist air, odours and airborne pollutants from kitchens and utility rooms.



Models

Pull Cord	Activated by pull cord
Timer	Timer can be set to run on between 1 and 30 minutes
Humidity Pull Cord	Humidity sensor can be set between 40 - 95% RH, override with pull cord

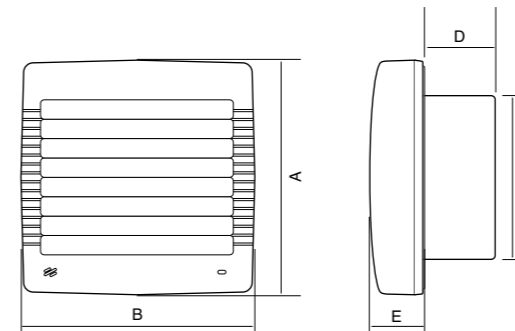


Technical Data

Specification	Maxivent eco P	Maxivent eco T	Maxivent eco H
Air flow m ³ /hr	260	260	158 / 260
Air flow l/sec	72	72	44 / 72
Fan type	Axial	Axial	Axial
Controls	Pull Cord	Timer	Humidity / Pull Cord
Mounting	Wall / Ceiling	Wall / Ceiling	Wall / Ceiling
Sound pressure dB(A)@3m	57	57	46/57
Power watts	28	28	28
Amps	2	2	2
SFP@72 l/sec	0.38	0.38	0.38
Building Regulations ADF	Yes	Yes	Yes
Duct diameter (mm)	150	150	150
Voltage	230v / 1ph / 50-60Hz	230v / 1ph / 50-60Hz	230v / 1ph / 50-60Hz
Rating	IP45	IP45	IP45
Weight (kg)	2.45	2.45	2.45
Dimensions (H x W x D) mm	225 x 225 x 105	225 x 225 x 105	225 x 225 x 105
Part No.	72678201	72678301	72678401
Variable speed controller		9041033*	

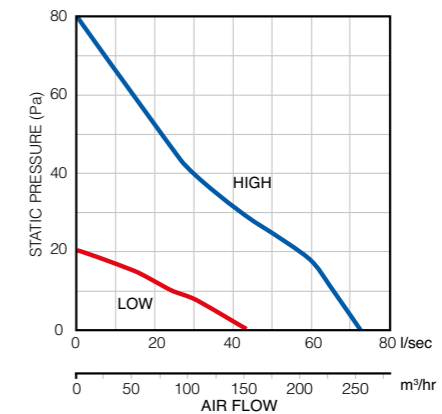
* refer to accessories section.

Dimensions (mm)



Model	A	B	C	D	E
Maxivent eco	225	225	150	60	45

Performance



Controls and Accessories

A range of accessories including flexible and rigid ducting kits, controls, switches and grilles are available.

See accessories for more details.



Unique, elegant, efficient



"A revolution in fan design. You have never seen a fan like it or installed a fan like it either"



In 2004 Airflow introduced iCON. A radical new design which brought style, colour and a new level of functionality to the bland world of boxy extractor fans.

The changes were not just cosmetic, but the results of a complete rethink of the way in which fans are designed, specified, sold and installed.

Today, as we introduce the next generation of energy saving iCON, these award winning fans remain the market leader for simplicity and style with its unique, interchangeable module concept continuing to save time and money for distributors and installers alike.

iCON 15

iCON 15 is ideal for toilets, en-suite, shower rooms and bathrooms. Recessed into the wall or ceiling, it is stylish and unobtrusive, even in the smallest space.

iCON 30

iCON 30 is quiet, powerful and designed for recessed or surface mounting in walls or ceilings in larger toilets, bathrooms and utility rooms.

iCON 60

iCON 60 is the largest fan in the range, suitable for recessed or surface mounting in walls or ceilings and is highly efficient in domestic kitchens, changing areas and residents' lounges.



Chrome



Anthracite



Silver



Sandstone



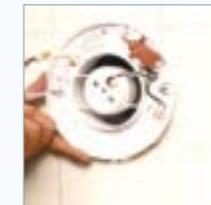
Its looks aren't everything

Installation

iCON has been designed with simplicity in mind. A quick, core drilled hole enables immediate fixing of iCON. The twist on/off cover requires only a single side entry fixing screw.



Cantilever fixing lugs enable recessed installation on uneven surfaces. iCON 30 and iCON 60 are also supplied with a narrow contour skirt for surface mounting if preferred.



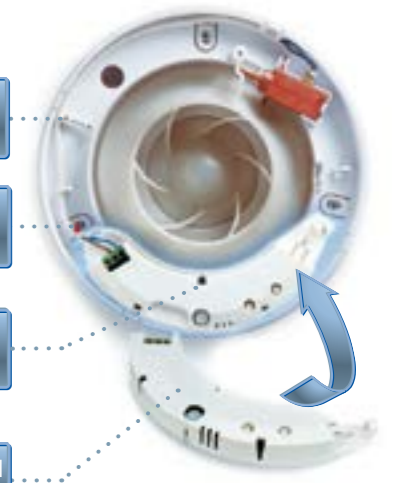
The 'snap-in' module is quick to fit and wire, giving the installer a choice of controls on-site.



Modular versatility and simplicity. Select the fan, iCON 15, iCON 30, iCON 60 and add the module. Any module fits any fan.*

*subject to voltage

- Simple twist on/off cover mechanism
- Cantilever lugs to facilitate uneven surfaces
- 'Snap-in' interchangeable module, quick to fit and wire
- Fit the control module required for the particular job



Wholesalers and Installers save too!

Designed with the busy contractor in mind with modular design and maximum fan choice, you save time and make more money. Just carry three basic fans and a range of inexpensive fan control modules to install fans quickly and move faster from site to site.

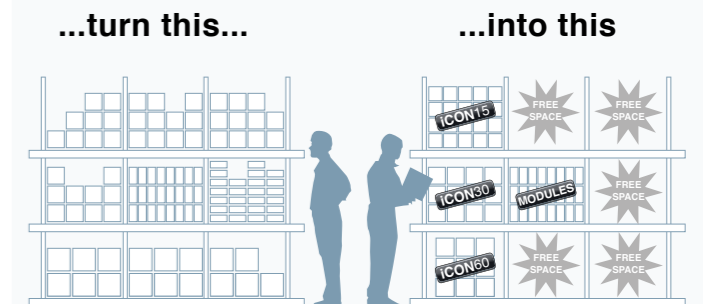
- Go from site to site
- Just carry three basic fans and a choice of control modules
- All modules fit all fans.*
- Reduce trips to the wholesaler for site-specific fans.

*subject to Voltage



Minimal stock and maximum choice equals more profit

Wholesalers only need to stock three basic fans and offer a range of control modules to...



STOP using up valuable shelving space with boxes for every type of fan.

SAVE up to half your valuable shelving space by stocking three basic fans and a range of popular control modules.



iCON 15

Stylish toilet and bathroom ventilation



Key Features

- Axial fan
- Flow rate up to 68 m³/hr
- Stylish, slim and unobtrusive in walls or ceilings
- Low SFP 0.49 W/l/s
- Different colour covers available
- Unique iris shutter, prevents backdraughts, operates silently
- Interchangeable control modules match fan to installation requirements
- IPX4 rating
- Complies with Building Regulations
- 3 year warranty



iCON 15

iCON 15 is ideal for toilets, en-suites, shower rooms and bathrooms. Recessed into the wall or ceiling, it is stylish and unobtrusive, even in the smallest of spaces. The circular design means no squaring up is required, adding to the already simple installation procedure.

iCON 15 is designed to provide ventilation levels that comply with the latest Building Regulations. The iCON fan is an efficient, stylish and unique ventilation solution for

the modern home. The shutter design makes switching on and off almost silent and helps reduce external noise ingress.

The slim profile and iris shutter of the iCON make it a fan which will blend discreetly into any setting. Two iCON 15 shower kits including (Timer / Humidity Timer) module and ducting installation kits are available.



Modules

See page 72 for module functionality

72573602	Pull Cord
72612601	Timer
72687103	Humidity, Pull Cord with Timer overrun
72687104	Motion Sensor with Timer overrun
72687102	Motion Sensor Humidity Timer
72675701	Continuous Ventilation at 8/13 l/sec
72675702	Delayed Timer with Pull Cord
72675703	2 Speed Humidity Pull Cord boost

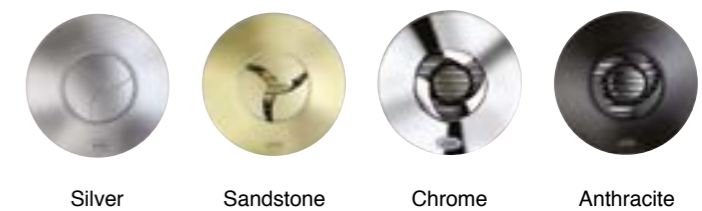


Technical Data

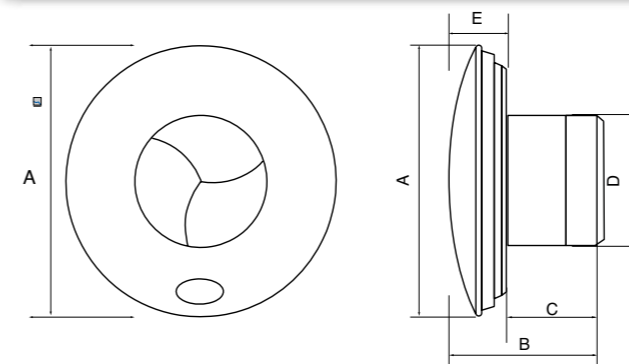
Specification	iCON 15
Air flow m ³ /hr / l/sec	68 / 19
Fan type	Axial
Mounting	Wall / Ceiling
Sound pressure dB(A)@3m	30.3
Power watts	8.8
Specific Fan Power (SFP)	0.49
Building Regulations ADF	Yes
Duct diameter (mm)	100
Voltage	230/1/50Hz
Rating	IPX4
Max ambient temperature	40°C
Weight (kg)	0.74
Dimensions (H x W x D) mm	197 x 197 x 40
Part No.	72683501

Covers

52634504	Silver
52634505	Sandstone
52634502	Chrome
52634503	Anthracite



Dimensions (mm)

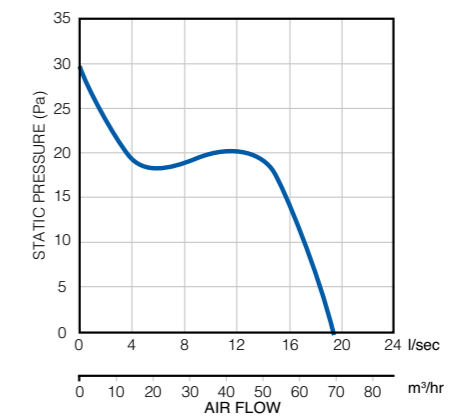


Model	A	B	C	D	E
iCON 15	197	108.5	67.5	100	40

Shower Kit

90000434	iCON 15, Timer module, flexible ducting
90000433	iCON 15, Humidity / Timer module, flexible ducting

Performance



Controls and Accessories

A range of accessories including flexible and rigid ducting kits, controls, switches and grilles are available.

See accessories for more details.



iCON 30

Stylish toilet, bathroom and utility room ventilation



Key Features

- Mixed flow fan
- Flow rate up to 118 m³/hr
- Recess or surface mounting
- Different colour covers available
- Perfect for longer duct runs
- Unique iris shutter, prevents backdraughts, operates silently
- Interchangeable control modules match fan to installation requirements
- Circular design, no squaring up
- IPX4 rating
- Complies with Building Regulations
- 3 year warranty



iCON 30

iCON 30 is quiet, powerful and designed for recessed or surface mounting in walls or ceilings in larger toilets, bathrooms and utility rooms.

iCON 30 is designed to provide ventilation levels that comply with the latest Building Regulations.

The iCON fan is an efficient, stylish and unique ventilation solution for the modern home. The shutter design makes switching on and off almost silent and helps reduce external noise ingress.

The slim profile and iris shutter of the iCON make it a fan which will blend discreetly into any setting.



Modules

72573602	Pull Cord
72612601	Timer
72687103	Humidity, Pull Cord with Timer overrun
72687104	Motion Sensor with Timer overrun
72687102	Motion Sensor Humidity Timer
72675701	Continuous Ventilation at 8/13 l/sec
72675702	Delayed Timer with Pull Cord
72675703	2 Speed Humidity Pull Cord boost

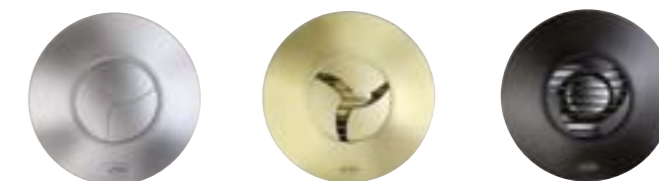
Technical data

Specification	iCON 30
Air flow m ³ /hr / l/sec	118 / 32
Fan type	Mixed Centrifugal / Axial
Mounting	Wall / Ceiling
Sound pressure dB(A)@3m	33.6
Power watts	18
Building Regulations ADF	Yes
Duct diameter (mm)	100
Voltage	230v / 1ph / 50Hz
Rating	IPX4
Max ambient temperature	40°C
Weight (kg)	1.11
Dimensions (H x W x D) mm	225 x 225 x 141
Part No.	72591601



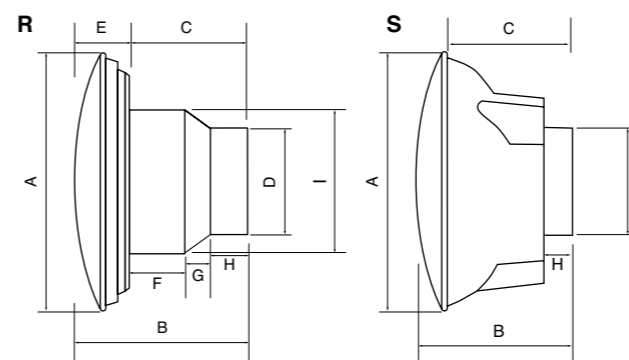
Covers

52634507	Silver
52634508	Sandstone
52634506	Anthracite



Silver Sandstone Anthracite

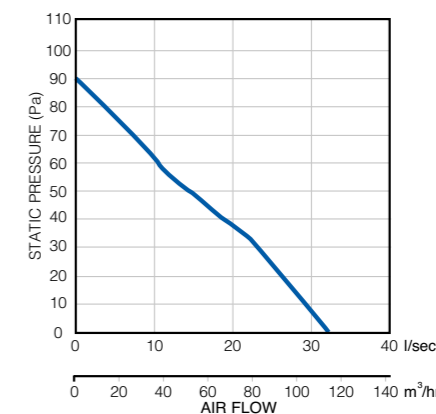
Dimensions (mm)



R = Recessed without skirt S = Surface mounted with skirt

Model	A	B	C	D	E	F	G	H	I
iCON 30 (R)	225	144	101	97	43	51	20	30	148
iCON 30 (S)	225	144	92	97	-	-	-	29	-

Performance



Controls and Accessories

A range of accessories including flexible and rigid ducting kits, controls, switches and grilles are available.

See accessories for more details.

iCON 60

Stylish large bathroom, utility room and kitchen ventilation



Key Features

- Mixed flow fan
- Flow rate up to 260 m³/hr
- Recess or surface mounting
- Different colour covers available
- Perfect for longer duct runs
- Unique iris shutter, prevents backdraughts, operates silently
- Interchangeable control modules match fan to installation requirements
- Circular design, no squaring up
- IPX4 rating
- Complies with Building Regulations - ADF
- 3 year warranty



iCON 60

iCON 60 is the largest, most powerful fan in the range. It is suitable for recessed or surface mounting in walls or ceilings and is highly efficient in domestic kitchens, large bathrooms and utility rooms.

iCON 60 is designed to provide ventilation levels that comply with the latest Building Regulations.

The iCON fan is an efficient, stylish and unique ventilation solution for the modern home. The shutter design makes switching on and off almost silent and helps reduce external noise ingress. The slim profile and iris shutter of the iCON make it a fan which will blend discreetly into any setting.



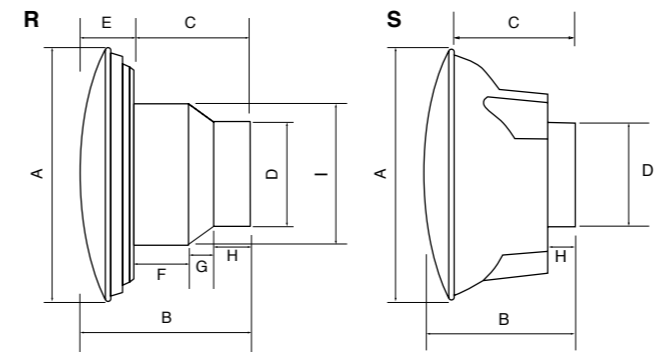
Modules

72573602	Pull Cord
72612601	Timer
72687103	Humidity, Pull Cord with Timer overrun
72687104	Motion Sensor with Timer overrun
72687102	Motion Sensor Humidity Timer
72675701	Continuous Ventilation at 8/13 l/sec
72675702	Delayed Timer with Pull Cord
72675703	2 Speed Humidity Pull Cord boost

Technical data

Specification	iCON 60
Air flow m ³ /hr / l/sec	270 / 75
Fan type	Mixed Centrifugal / Axial
Mounting	Wall / Ceiling
Sound pressure dB(A)@3m	42
Power Watts	63.1
Building Regulations ADF	Yes
Duct diameter (mm)	150
Voltage	230v / 1ph / 50Hz
Rating	IPX4
Max ambient temperature	40°C
Weight (kg)	1.97
Dimensions (H x W x D) mm	280 x 280 x 165
Part No.	72591701

Dimensions (mm)



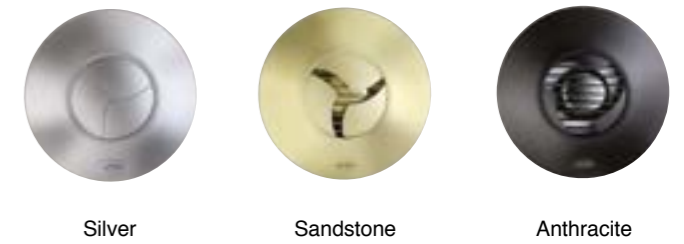
R = Recessed without skirt S = Surface mounted with skirt

Model	A	B	C	D	E	F	G	H	I
iCON 60 R	280	165	110	148	55	38	20	52	177
iCON 60 S	280	165	80	148	-	-	-	46	-

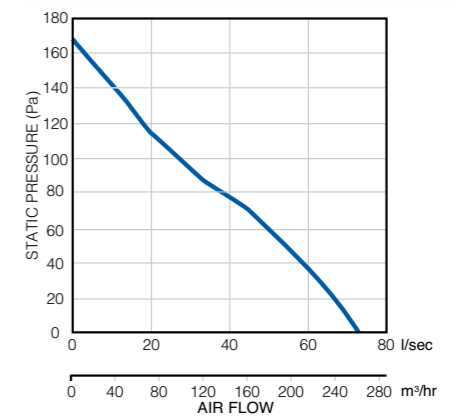


Covers

52634510	Silver
52634511	Sandstone
52634509	Anthracite



Performance



Controls and Accessories

A range of accessories including flexible and rigid ducting kits, controls, switches and grilles are available.

See accessories for more details.

iCON 15S eco

Stylish toilet and bathroom ventilation



Key Features

- Low energy axial fan
- Flow rate up to 79 m³/hr
- Stylish, slim and unobtrusive in walls or ceilings
- Different colour covers available
- Unique iris shutter, prevents backdraughts, operates silently
- Interchangeable control modules match fan to installation requirements
- Low watt motor - 7.5w
- SFP 0.34 W/l/s
- Universal voltage 100/240v - 50/60Hz
- IPX4 rating
- Complies with Building Regulations
- 3 year warranty

iCON 15S eco

iCON 15S eco 12 volt low energy fans with brushless DC motors offer significantly reduced energy consumption compared with standard AC motors. Fitted with ball-bearing motors for extra long life, each model is supplied with a remote mounting 100/240v AC to 12vDC transformer. Stylish, slim and unobtrusive in walls or ceilings. The circular design means no squaring up is required, adding to the already simple installation procedure.

iCON 15S eco is designed to provide ventilation levels that comply with the latest Building Regulations.

The iCON fan is an efficient, stylish and unique ventilation solution for the modern home. The shutter design makes switching on and off almost silent and helps reduce external noise ingress. The slim profile and iris shutter of the iCON make it a fan which will blend discreetly into any setting.



Modules

72573603	Pull Cord
72574204	Pull Cord with adjustable Timer
72574202	Humidity, Pull Cord with Timer overrun
72574203	Motion Sensor with Timer overrun
72574201	Motion Sensor / Humidity / Timer
72682307	Delay Start Timer with Pull Cord

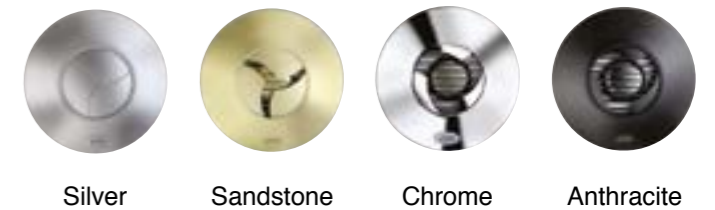


Technical Data

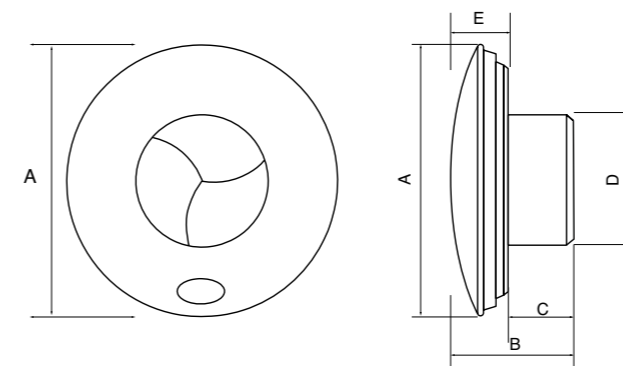
Specification	iCON 15S eco
Air flow m ³ /hr / l/sec	79 / 22
Fan type	Axial
Mounting	Wall / Ceiling
Sound pressure dB(A)@3m	30.3
Power watts	5.6
Specific Fan Power (SFP)	0.34
Building Regulations ADF	Yes
Duct diameter (mm)	100
Voltage	100/240v-50/60Hz
Rating	IPX4
Max ambient temperature	40°C
Weight (kg)	0.74
Dimensions (H x W x D) mm	197 x 197 x 40
Part No.	72683701

Covers

52634504	Silver
52634505	Sandstone
52634502	Chrome
52634503	Anthracite

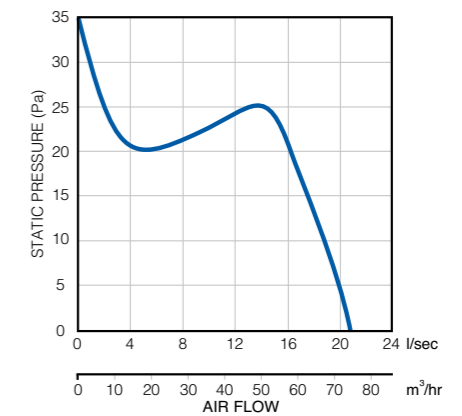


Dimensions (mm)



Model	A	B	C	D	E
iCON 15S eco	197	85	67.5	100	40

Performance



Controls and Accessories

A range of accessories including flexible and rigid ducting kits, controls, switches and grilles are available.

See accessories for more details.

iCON 30S eco

Stylish toilet, bathroom and utility ventilation



Key Features

- Low energy mixed flow fan
- Flow rate up to 123 m³/hr
- Stylish, slim and unobtrusive in walls or ceilings
- Recessed or surface mounting
- Different colour covers available
- Unique iris shutter, prevents backdraughts, operates silently
- Interchangeable control modules match fan to installation requirements
- Low watt motor - 13w
- SFP 0.38 W/l/s
- Universal voltage 100/240v - 50/60Hz
- IPX4 rating
- Complies with Building Regulations
- 3 year warranty

iCON 30S eco

iCON 30S eco 12 volt low energy fans with brushless DC motors offer significantly reduced energy consumption compared with standard AC motors. Fitted with ball-bearing motors for extra long life, each model is supplied with a remote mounting 100/240v AC to 12v DC transformer. Stylish, slim and unobtrusive in walls or ceilings.

iCON 30S eco is designed to provide ventilation levels that comply with the latest Building Regulations.

The iCON fan is an efficient, stylish and unique ventilation solution for the modern home. The shutter design makes switching on and off almost silent and helps reduce external noise ingress. The slim profile and iris shutter of the iCON make it a fan which will blend discreetly into any setting.



Modules

72573603	Pull Cord
72574204	Pull Cord with adjustable Timer
72574202	Humidity, Pull Cord with Timer overrun
72574203	Motion Sensor with Timer overrun
72574201	Motion Sensor / Humidity / Timer
72682307	Delay Start Timer with Pull Cord

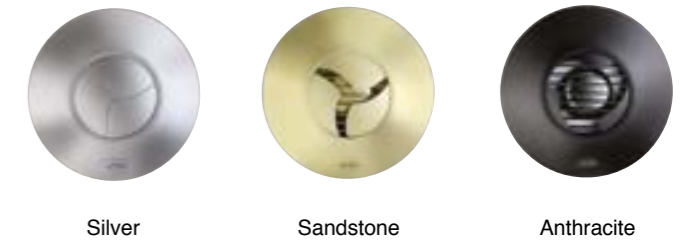


Technical Data

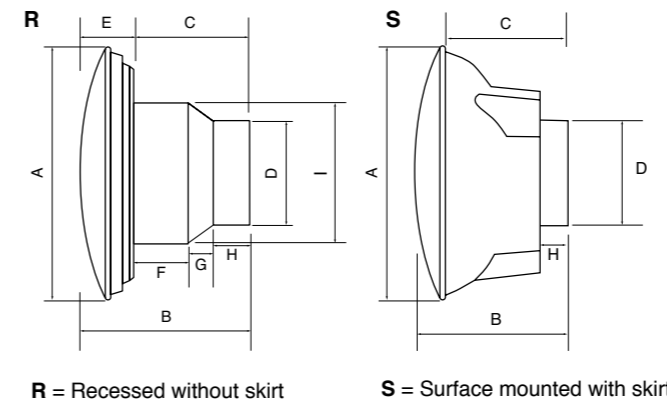
Specification	iCON 30S eco
Air flow m ³ /hr / l/sec	123 / 34
Fan type	Mixed Centrifugal / Axial
Mounting	Wall / Ceiling
Sound pressure dB(A)@3m	33.6
Power watts	7.7
Specific Fan Power (SFP)	0.38
Building Regulations ADF	Yes
Duct diameter (mm)	100
Voltage	100/240v-50/60Hz
Rating	IPX4
Max ambient temperature	40°C
Weight (kg)	1.1
Dimensions (H x W x D) mm	225 x 225 x 141
Part No.	72683801

Covers

52634507	Silver
52634508	Sandstone
52634506	Anthracite

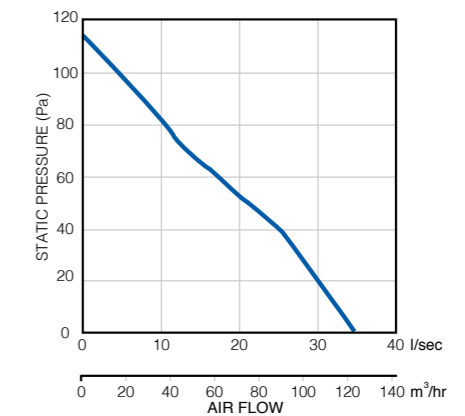


Dimensions (mm)



Model	A	B	C	D	E	F	G	H	I
iCON 30S eco (R)	225	144	101	97	43	51	20	30	148
iCON 30S eco (S)	225	144	92	97	-	-	-	29	-

Performance



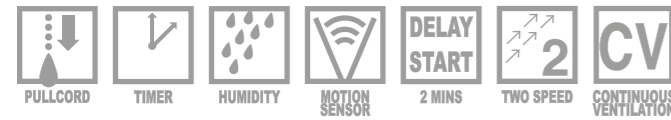
Controls and Accessories

A range of accessories including flexible and rigid ducting kits, controls, switches and grilles are available.

See accessories for more details.

iCON 15 eco

Stylish toilet and bathroom ventilation



Key Features

- Super low energy axial fan
- Flow rate 79 m³/hr
- Switch Mode Power Supply (SMPS) located in the module
- Stylish, slim and unobtrusive in walls or ceilings
- Different colour covers available
- Unique iris shutter, prevents backdraughts, operates silently
- Quiet operation 35 dB(A)
- Interchangeable control modules match fan to installation requirements
- Low watt motor – 7.5W
- SFP 0.34 W/l/s
- Voltage supply 100/240v-50/60Hz
- IPX4 rating
- Complies with Building Regulations
- 3 year warranty

iCON 15 eco

iCON 15 eco with the brand new SMPS technology located in the module converts 100/240v AC power into 12v DC power. The advantage of this quicker and easier installation is a neater and more compact method of powering a low energy fan than a bulky transformer.

iCON 15 eco is designed to provide ventilation levels that comply with the latest Building Regulations. The Specific Fan Power is also well within the parameters of the energy requirements of the Building Regulations

The iCON fan is an efficient, stylish and unique ventilation solution for the modern home. The shutter design makes switching on and off almost silent and helps reduce external noise ingress. The slim profile and iris shutter of the iCON make it a fan which will blend discreetly into any setting.



Modules

72687127	Pull Cord
72687128	Timer
72687129	Humidity Pull Cord with Timer overrun
72687130	Motion Sensor with Timer overrun
72687131	Motion Sensor Humidity Timer
72687132	Continuous Ventilation at 8/13 l/sec
72687133	Delayed Timer
72687134	2 Speed Humidity Pull Cord boost

Note: This fan requires a module to operate

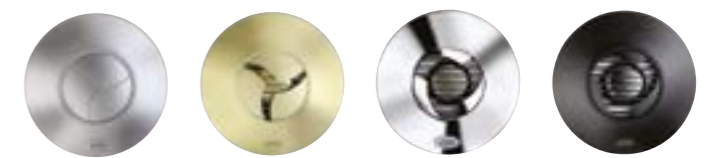


Technical Data

Specification	iCON 15 eco
Air flow m ³ /hr / l/sec	79 / 22
Fan type	Axial
Mounting	Wall / Ceiling
Sound pressure dB(A)@3m	30.3
Power watts	7.5
Specific Fan Power (SFP)	0.34
Building Regulations ADF	Yes
Duct diameter (mm)	100
Voltage	100/240v-50/60Hz
Rating	IPX4
Max ambient temperature	40°C
Weight (kg)	0.74
Dimensions (H x W x D) mm	197 x 197 x 40
Part No.	72687121

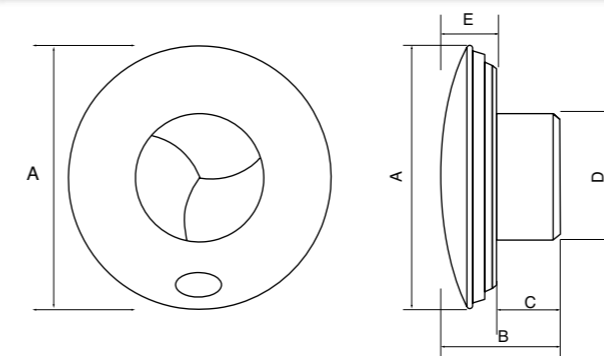
Covers

52634504	Silver
52634505	Sandstone
52634503	Anthracite
52634502	Chrome



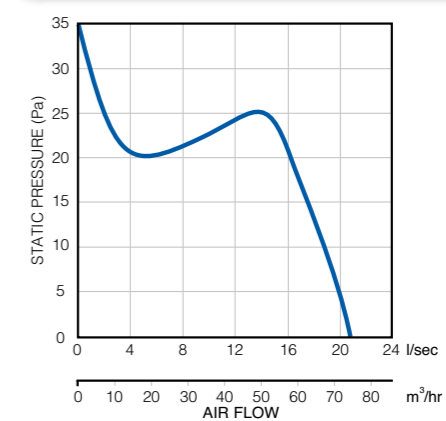
Silver Sandstone Chrome Anthracite

Dimensions (mm)



Model	A	B	C	D	E
iCON 15 eco	197	85	45	100	40

Performance



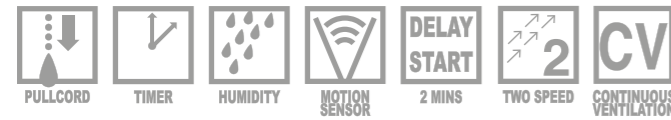
Controls and Accessories

A range of accessories including flexible and rigid ducting kits, controls, switches and grilles are available.

See accessories for more details.

iCON 30 eco

Stylish toilet, bathroom and utility ventilation



Key Features

- Super low energy mixed flow fan
- Flow rate up to 112 m³/hr
- Switch Mode Power Supply (SMPS) located in the module
- Stylish, slim and unobtrusive in walls or ceilings
- Recessed or surface mounting
- Different colour covers available
- Unique iris shutter, prevents backdraughts, operates silently
- Quiet operation from 34dB(A)
- Interchangeable control modules match fan to installation requirements
- Low watt motor – 14W
- SFP 0.45 W/l/s
- Voltage supply 100/240v-50/60Hz
- IPX4 rating
- Complies with Building Regulations
- 3 year warranty

iCON 30 eco

iCON 30 eco with the brand new SMPS technology located in the module converts 100/240v AC power into 12v DC power. The advantage of this quicker and easier installation is a neater and more compact method of powering a low energy fan than a bulky transformer.

iCON 30 eco is designed to provide ventilation levels that comply with the latest Building Regulations. The Specific Fan Power is also well within the parameters of the energy requirements of the Building Regulations

The iCON fan is an efficient, stylish and unique ventilation solution for the modern home. The shutter design makes switching on and off almost silent and helps reduce external noise ingress. The slim profile and iris shutter of the iCON make it a fan which will blend discreetly into any setting.



Modules

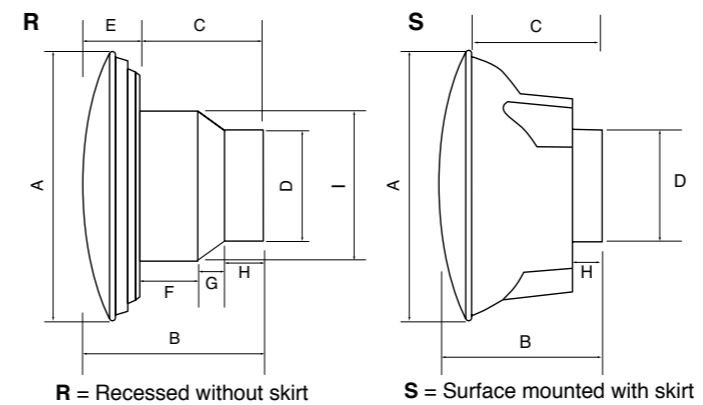
72687127	Pull Cord
72687128	Timer
72687129	Humidity Pull Cord with Timer overrun
72687130	Motion Sensor with Timer overrun
72687131	Motion Sensor Humidity Timer
72687132	Continuous Ventilation at 8/13 l/sec
72687133	Delayed Timer
72687134	2 Speed Humidity Pull Cord boost

Note: This fan requires a module to operate

Technical Data

Specification	iCON 30 eco
Air flow m ³ /hr / l/sec	112 / 31
Fan type	Mixed Centrifugal / Axial
Mounting	Wall / Ceiling
Sound pressure dB(A)@3m	33.6
Power watts	14
Specific Fan Power (SFP)	0.45
Building Regulations ADF	Yes
Duct diameter (mm)	100
Voltage	100/240v-50/60Hz
Rating	IPX4
Max Ambient Temperature	40°C
Weight (kg)	1.11
Dimensions (H x W x D) mm	225 x 225 x 141
Part No.	72687122

Dimensions (mm)

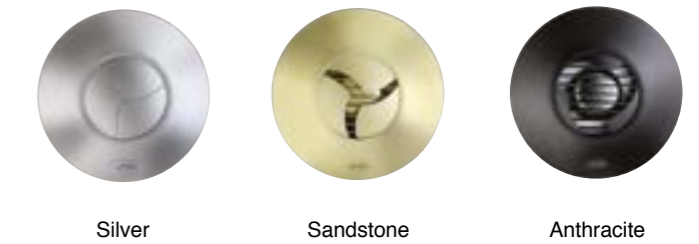


Model	A	B	C	D	E	F	G	H	I
iCON 30 eco (R)	225	144	101	97	43	51	20	30	148
iCON 30 eco (S)	225	144	92	97	-	-	-	29	-

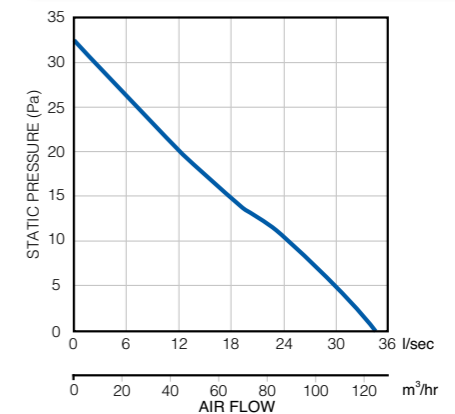


Covers

52634507	Silver
52634508	Sandstone
52634506	Anthracite



Performance



Controls and Accessories

A range of accessories including flexible and rigid ducting kits, controls, switches and grilles are available.

See accessories for more details.

iCON 60 eco

Stylish large bathroom, utility room and kitchen ventilation - coming soon

Key Features

- Super low energy mixed flow fan
- Switch Mode Power Supply (SMPS) located in the module
- Stylish, slim and unobtrusive in walls or ceilings
- Recessed or surface mounting
- Different colour covers available
- Unique iris shutter, prevents backdraughts, operates silently
- Quiet operation
- Interchangeable control modules match fan to installation requirements
- Low watt motor
- Voltage supply 100/240v-50/60Hz
- IPX4 rating
- Complies with Building Regulations
- 3 year warranty



iCON 60 eco

iCON 60 eco with the brand new SMPS technology located in the module converts 100/240v AC power into 12v DC power. The advantage of this quicker and easier installation is a neater and more compact method of powering a low energy fan than a bulky transformer.

iCON 60 eco is designed to provide ventilation levels that comply with the latest Building Regulations. The Specific Fan Power is also well within the parameters of the energy requirements of the Building Regulations

The iCON fan is an efficient, stylish and unique ventilation solution for the modern home. The shutter design makes switching on and off almost silent and helps reduce external noise ingress. The slim profile and iris shutter of the iCON make it a fan which will blend discreetly into any setting.



Modules

72687127	Pull Cord
72687128	Timer
72687129	Humidity, Pull Cord with Timer overrun
72687130	Motion Sensor with Timer overrun
72687131	Motion Sensor Humidity Timer
72687132	Continuous Ventilation at 8/13 l/sec
72687133	Delayed Timer
72687134	2 Speed Humidity Pull Cord boost

Note: This fan requires a module to operate

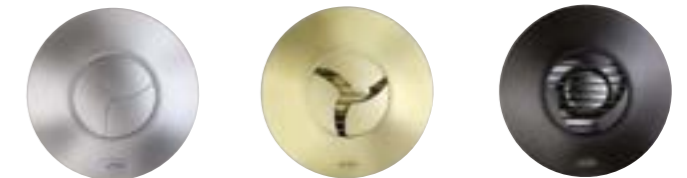


Technical Data

Specification	iCON 60 eco
Air flow m ³ /hr / l/sec	tba / tba
Fan type	Mixed Centrifugal / Axial
Mounting	Wall / Ceiling
Sound pressure dB(A)@3m	tba
Power watts	tba
Building Regulations ADF	Yes
Duct diameter (mm)	150
Voltage	100/240v-50/60Hz
Rating	IPX4
Max ambient temperature	40°C
Weight (kg)	1.97
Dimensions (H x W x D) mm	280 x 280 x 165
Part No.	72687123

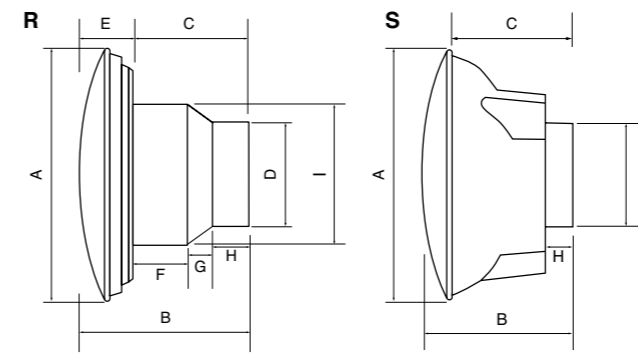
Covers

52634510	Silver
52634511	Sandstone
52634509	Anthracite



Silver Sandstone Anthracite

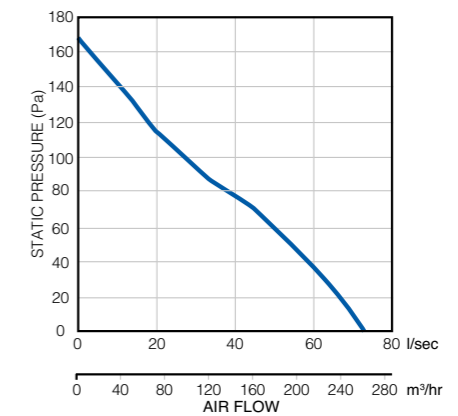
Dimensions (mm)



R = Recessed without skirt S = Surface mounted with skirt

Model	A	B	C	D	E	F	G	H	I
iCON 60 eco R	280	165	110	148	55	38	20	52	177
iCON 60 eco S	280	165	80	148	-	-	-	46	-

Performance



Controls and Accessories

A range of accessories including flexible and rigid ducting kits, controls, switches and grilles are available.

See accessories for more details.





Choose the function
Select the module
It's iCON simple



The module concept which is unique to iCON, gives one the option of determining how you wish to control your fan and based on your requirement select the appropriate module. Airflow has invested extensively in the research and development of our modules to bring our customers the most versatile controllability available in the extractor fan market. Our extensive range of control functions has helped the iCON product range become the leading brand it is today.

The same module is compatible with all three size iCON's – 15, 30 and 60. However, it should be noted that there are specific 240V modules and different low voltage SELV modules (please refer to the table below for details and part numbers of the various modules).

Replacing a module is also a lot simpler and cheaper than replacing the entire fan.

Modules for use in 240V iCON Fans iCON 15 - 72683501 iCON 30 - 72591601 iCON 60 - 72591701

Part No.	Control	Function
72573602	PCM	Manual on/off control by pull cord switch
72612601	TM	Adjustable timer between 1 - 30 minutes, remote or light switch operation
72687103	HTM	Adjustable humidity setting between 40 - 90% RH, adjustable timer and momentary pull cord to activate timer
72687104	PRTM	Motion sensor activation with adjustable timer
72687102	PRHTM	Motion sensor activation with adjustable humidity setting and adjustable timer
72675701	CV2	Continuous Ventilation at 8 or 13 l/sec. Boost to a maximum flow rate of the fan by remote switching or pull cord
72675702	DTM	Delayed start for 2 minutes after light switch operation (ideal for quick visits) then adjustable timer between 2 - 45 minutes (DTM only). Momentary pull cord to activate timer
72675703	2SHM	Remote light switch operation activates low speed. Boost speed activated by automatic humidity sensor (adjustable 40 - 90% RH) or manually by momentary cord

Modules for use in 12V iCON SELV Fans with remote transformer iCON 15S eco - 72683701 iCON 30S eco - 72683801

72573603	PCS	Manual on/off control by pull cord switch
72574204	PCTS	Adjustable timer between 1 - 30 minutes, pull cord/ remote or light switch operation
72574202	HTS	Adjustable humidity setting 40 - 90% RH, adjustable timer and momentary pull cord to activate timer
72574203	PRTS	Motion sensor activation with adjustable timer
72574201	PRHTS	Motion sensor activation with adjustable humidity setting and adjustable timer
72682307	DTS	Delayed start for 2 minutes after light switch operation (ideal for quick visits) pull cord then adjustable timer between 2 - 45 minutes (DTS only). Momentary pull cord to activate timer

Modules with integral transformer for use in 12V iCON fans iCON 15 eco - 72687121 iCON 30 eco - 72687122 iCON 60 eco - 72687123

Part No.	Control	Function
72687127	PCE	Manual on/off control by pull cord switch
72687128	TE	Adjustable timer between 1 - 30 minutes, pull cord / remote or light switch operation
72687129	HTE	Adjustable humidity setting between 40 - 90% RH, adjustable timer and momentary pull cord to activate timer
72687130	MSTE	Motion sensor activation with adjustable timer
72687131	MSHTE	Motion sensor activation with adjustable humidity setting and adjustable timer
72687132	CVE	Continuous Ventilation at 8 or 13 l/sec. Boost to a maximum flow rate of the fan by remote switching or pull cord
72687133	DTE	Delayed start for 2 minutes after light switch operation (ideal for quick visits) then adjustable timer between 2 - 45 minutes (DTE only). Pull cord to activate timer
72687134	2SHE	Remote light switch operation activates low speed. Boost speed activated by automatic humidity sensor (adjustable 40 - 90% RH) or manually by momentary pull cord



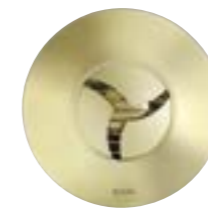
Chrome



Anthracite



Silver



Sandstone

Adding colour and style to your home with a coloured iCON cover

Colour Covers	iCON 15	iCON 30	iCON 60
Anthracite	52634503	52634506	52634509
Silver	52634504	52634507	52634510
Sandstone	52634505	52634508	52634511
Chrome	52634502	N/A	N/A

To complement the décor of your home, we also offer the flexibility to upgrade the white cover to Anthracite, Sandstone, Silver or Chrome (iCON 15 only). This is perfect for customers looking for a fan that blends seamlessly into the surroundings adding colour and co-ordination to any toilet, en-suite, bathroom, utility room or kitchen at a surprisingly low cost.

The covers are simple to fit and can be easily cleaned by simply wiping off with a damp cloth.

We are convinced that our exclusive design and product configuration possibilities, have contributed to iCON fans, modules and covers becoming one of the most successful brand names in the extractor fan business.

iCONstant

Continuous Ventilation - suitable for any room



Key Features

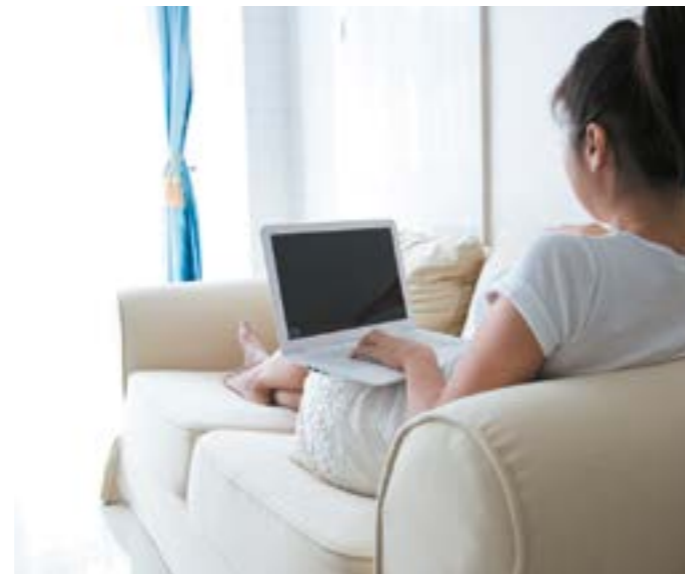
- From 10dB(A) the quietest dMEV fan available
- Selectable trickle flow rates 22/29/47 m³/hr. Boost up to 72 m³/hr
- Just over £1.00 per year to run on trickle speed
- Constant volume - Guaranteed to deliver installed performance
- The only IPX5 dMEV fan rated for both wall and ceiling installs
- Timer and Humidity versions. Two minute delay start (boost) option
- Memory retained in event of a power cut
- LED self diagnostics and 'fine tune' commissioning option of flow rate
- Complies with Building Regulations
- SAP Appendix Q eligible
- 3 year warranty

iCONstant.

Based on our very successful iCON brand, we have developed the quietest dMEV fan available for toilet/bathroom and utility room installation bringing incredibly low sound levels to this market sector. The fan is perfect in the kitchen too. Utilizing the very latest motor technology and incorporating advanced features we have been able to produce an energy efficient fan that will help eliminate the problems of condensation by continuously extracting the damp air that is the source of the problem.

The iCONstant boasts features that reduce human intervention and ensure the fan is always operating at the optimum level whatever the circumstances of the installation. This is perfect for the social housing sector where specifiers, landlords and tenants all seek a ventilation solution that is energy efficient, economical to run and quiet to operate.

iCONstant, the virtually silent, low energy dMEV fan from Airflow – packed with features – results guaranteed.



Models

Timer	On boost timer can be set to run on for 2, 15, 30 or 40 minutes
Humidity Timer	Intelligent humidity sensor adjustable between 60% and 90%. On boost, timer can be set to run on for 2, 15, 30 or 40 minutes

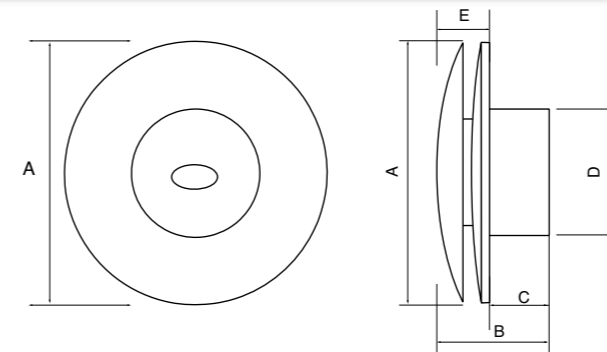


Cover removed showing LED self diagnostics and 'fine tuning' commissioning functionality

Technical Data

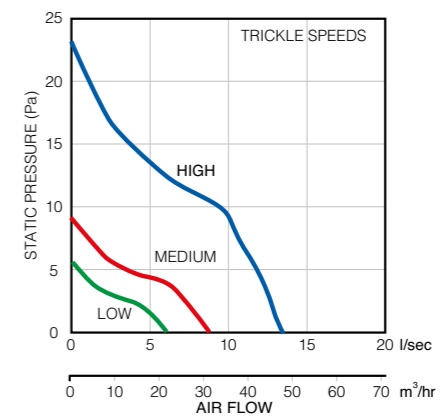
Specification	iCONstant		
Air flow m ³ /hr (trickle/boost)	22 / 29	29 / 47	47 / 72
Air flow l/sec (trickle/boost)	6 / 8	8 / 13	13 / 20
Fan type	Axial		
Controls	Timer/ Humidity Timer		
Sound pressure dB(A)@3m	10 / 15	15 / 28	28 / 38
Power watts	1.07 / 1.21	1.21 / 1.68	1.68 / 2.90
Amps	3		
Calculated Specific Fan Power (SFP)	0.18 / 0.15	0.15 / 0.13	0.13 / 0.14
Building Regulations ADF	Yes		
Duct diameter (mm)	100		
Voltage	100/240V-50/60Hz		
Rating (wall and ceiling)	IPX5		
Weight (kg)	0.55		
Dimensions (H x W x D) mm	197 x 197 x 120		
Part No.	72687117 (T)	72687118 (HT)	

Dimensions (mm)



Model	A	B	C	D	E
iCONstant	197	120	70	100	50

Performance



SAP Appendix Q Performance

In room (rigid duct)	Kitchen	13 l/s	0.18
	Wet room	8 l/s	0.19
In room (flexible duct)	Kitchen	13 l/s	0.20
	Wet room	8 l/s	0.19
Through wall (rigid duct)	Kitchen	13 l/s	0.15
	Wet room	8 l/s	0.16

source: BRE

Controls and Accessories

A range of accessories including flexible and rigid ducting kits, controls, switches and grilles are available.

See accessories for more details.



iCONstant

Continuous Ventilation - suitable for any room

Why dMEV?

In the Building Regulations dMEV is often referred to as decentralised Mechanical Extract Ventilation. The Airflow iCONstant dMEV continuous ventilation fan will provide the perfect solution for both new build and retrofitting into any domestic home, particularly where there has been

an increased level of insulation making it more airtight or the homeowner/tenant has a particular problem with condensation or mould. The iCONstant with Timer or Humidity Timer functionality are also SAP Appendix Q eligible.

Economical to Operate – less than a light bulb

iCONstant has been developed to consume minimal energy using a highly efficient 24v DC motor. The motor draws a mere 1.07w on the lowest trickle speed of 6 l/sec. The boost speed on the humidity version is intelligently controlled so as to minimise the period of the boost flow and not significantly ramp up running costs. The yearly

running cost of the iCONstant is just over one Pound - operating at 6 l/sec. This is less than a low energy light bulb if left on 24/7 - a small price to pay to ensure the well-being of the occupier and help preserve the fabric of the building.

Versatile Applications – one fan for all rooms

iCONstant dMEV fans can be used in any of the wet rooms. The required trickle rate is selected by the installer when the fan is fitted – this is dependent on the application - for toilets select 6 l/sec, en-suites, bathrooms and utility rooms select 8 l/sec and for kitchens it is 13 l/sec. The boost speed will be the next

speed level up with a maximum speed of 20 l/sec. The boost to the higher speed is activated by one of the following methods; integral momentary pull cord, remote switch (optional) or intelligent humidity sensor. Should there be a power interruption in the property, the settings will be maintained.

Simple Controllability – optimizing your ventilation

On the timer version, the boost speed can be set to run on for between 2 and 40 minutes. With the Humidity Timer version, the intelligent humidity sensor will activate the boost speed when the set point is reached – this can

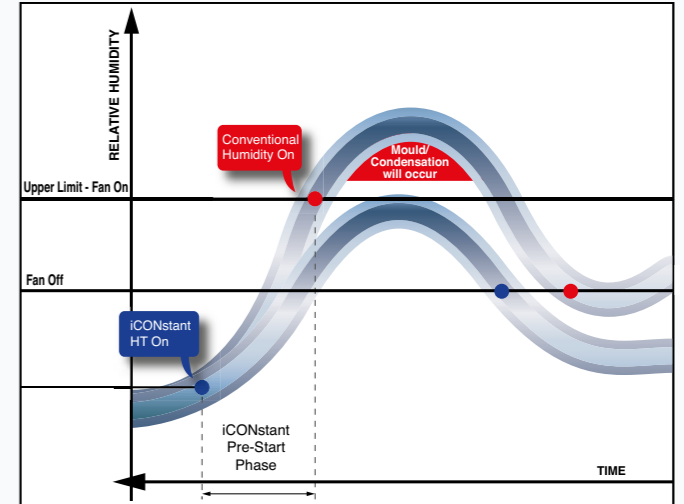
be adjusted anywhere between 60% and 90%. When the humidity level falls below the set-point again, the fan will revert to the trickle speed. Boost speed is activated by the integral pull cord or by a remote switch (optional).



Packed with useful features with the user in mind

Airflow's intelligent humidity sensor offers the additional feature of being able to recognize a rapid increase in humidity and activates the boost speed before the pre-set value is reached so that preventive ventilation commences. Should this occur, the fan reverts to the trickle speed when the humidity level is within 10% of the set-point. The benefits of this are that energy consumption is kept to a minimum and noise levels are reduced whilst ensuring optimum ventilation is achieved, before excessive condensation occurs.

Another feature is the ability to delay the start of the boost function by two minutes. This is particularly advantageous for those quick visits during the middle of the night. The boost activation by the pull cord and humidity sensor is instant.



Cutting Edge LED Setup

The iCONstant is fitted with a unique setup diagnostic LED light. This self proving technology facilitates the set-up process and the storage of settings. Flow settings

are made by the simple adjustment of the DIP switches. Installers will find it easy to setup saving time and money.

Constant Volume Guaranteed

The iCONstant is fitted with a flow sensor to continually monitor flow. Should conditions change, such as on a windy day, the fan will automatically adjust the flow rate

to the original settings thus ensuring constant extraction is maintained. All this with no human intervention – exactly what specifiers and landlords are looking for.

Ensuring Installed Performance

The everyday running rate can be adjusted if required, up to the maximum speed of the fan by simply pressing the +/- buttons. This 'fine tuning' is very useful during

commissioning to overcome system back pressure and ensure the installed performance for the installation is maintained.

User safety is our priority

As we have achieved IPX5 ingress protection rating on this product, you will be able to fit the iCONstant anywhere within Zones 1 and 2* of your bathroom/ en-suite. This makes our product incredibly safe to operate which is another reason for housing associations and

landlords to specify iCONstant, also it is easy for the installer to position the fan. Airflow is the only supplier to offer a dMEV product for both wall and ceiling installation with this IP rating.

* Wired in accordance with IEEE wiring regulations 17th edition

Another stylish design from Airflow

iCONstant's circular design is based on our very successful iCON brand of extractor fans. Customers like our circular design as this enhances the style and appearance of the

room plus a round fan is simple and quicker to install. The iCONstant is designed to be recessed into the wall / ceiling.

LOOVENT eco

A fan for every room



Key Features

- Two speed centrifugal fan
- Flow rate up to 110 m³/hr
- Compact design - smallest 30 l/sec fan in class
- For toilets, bathrooms, en-suites, utility rooms and kitchens (adjacent to hob)
- Well proven, centrifugal, filterless technology
- Surface or recessed, portrait or landscape
- Simple replacement of existing Loovent - same mounting and spigot position
- Economical to operate - from 3.6w
- Timer, humidity timer and motion sensor Timer versions
- SELV versions - low voltage
- Voltage supply 100/240v-50/60Hz
- IPX5 rating
- Complies with Building Regulations
- 5 year warranty

The next generation...

From an excellent pedigree of fans for over 40 years comes the next generation of fans – LOOVENT eco. A powerful, discreetly styled fan in a modular design for ease of installation and maintenance to ensure effective ventilation with minimal noise level and energy efficiency in mind.

It is exceptionally quiet with various “on-demand” control options that only activate the fan when needed - timer, humidity timer and motion sensor with timer. The low

energy motor helps reduce carbon emissions and saves on energy bills.

The LOOVENT eco is truly versatile in that it can be surface or recessed mounted into the wall or ceiling and fitted in either the portrait or landscape position.

LOOVENT eco is ideal for replacing the old Loovent 01C or existing Loovent 01 as the spigot position is identical and the back plates are the same size keeping reworking to a minimum.



Models

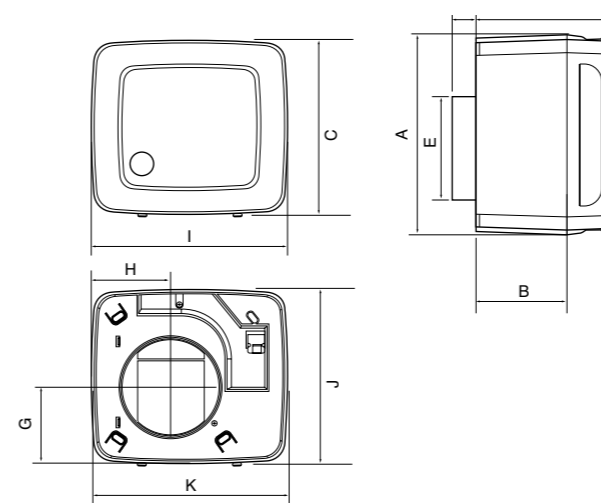
Timer / SELV T	Timer can be set to run on between 2 and 45 minutes
Humidity Timer / SELV HT	Humidity sensor can be set between 40 - 90% RH
Motion Sensor Timer	PIR sensor activates fan to switch on, timer overrun



Technical Data

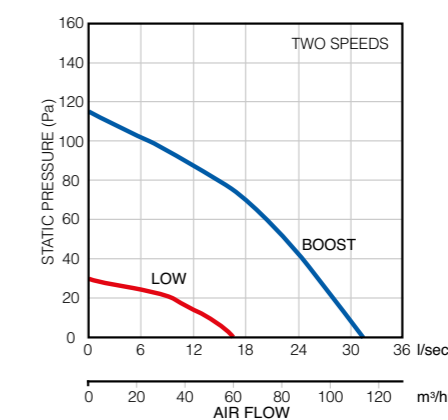
Specification	LOOVENT eco T	LOOVENT eco HT	LOOVENT eco MST
Air flow m ³ /hr (low / boost)	62 / 110	62 / 110	62 / 110
Air flow l/sec (low / boost)	17 / 31	17 / 31	17 / 31
Fan type	Centrifugal	Centrifugal	Centrifugal
Controls	Timer	Humidity Timer	Motion Sensor Timer
Sound pressure dB(A)@3m	29 / 47	29 / 47	29/47
Power watts	3.6 / 12	3.6 / 12	3.6 / 12
Amps	3	3	3
Specific Fan Power (SFP)	0.21 / 0.40	0.21 / 0.40	0.21/0.40
Building Regulations ADF	Yes	Yes	Yes
Duct diameter (mm)	100	100	100
Voltage	100/240v-50/60Hz	100/240v-50/60Hz	100/240v-50/60Hz
Rating	IPX5	IPX5	IPX5
Weight (kg)	1,0	1,0	1,0
Dimensions (H x W x D) mm	167 x 187 x 138	167 x 187 x 138	167 x 187 x 138
Part No.	72684305 72684309 (SELV)	72684306 72684310 (SELV)	72684307 N/A

Dimensions (mm)



Model	A	B	C	D	E	F	G	H	I	J	K
LOOVENT eco	167	85.5	167	138.5	99	22	74.5	75	187	162.6	182.6

Performance



Controls and Accessories

A range of accessories including flexible and rigid ducting kits, controls, switches and grilles are available.

See accessories for more details.

LOOVENT eco dMEV

Continuous ventilation



Key Features

- Continuous running centrifugal fan
- Trickle flow rate from 25 m³/hr
- Boost flow rate up to 110 m³/hr
- Compact design - smallest footprint in class
- Ideal for New Build and Refurbishments in toilets, bathrooms, en-suites, utility rooms and kitchens (adjacent to hob)
- Surface or recessed, portrait or landscape
- Simple replacement of existing Loovent - same mounting and spigot position
- Economical to operate - from 2.8w
- Timer and humidity timer versions
- SELV versions - low voltage
- Voltage supply 100/240v-50/60Hz
- IPX5 rating
- Complies with Building Regulations
- SAP Appendix Q eligible
- 5 year warranty

The next generation...

The dMEV continuous ventilation versions are the ideal solution for maintaining the perfect air quality in the domestic home. The LOOVENT eco dMEV versions with timer and humidity timer functionality are SAP Appendix Q eligible, making them perfect for the new build market.

The trickle rate should be selected on installation depending on the application - 7 l/sec for toilets, 9 l/sec for bathrooms / en-suites / utility rooms and 16 l/sec for kitchens. Boost speed is activated by the pull cord,

humidity sensor or a remote switch (light / door switch). Boost speeds are 15, 15 and 31 l/sec respectively. The pre-set run on timer period will apply and revert back to the trickle speed after this time.

LOOVENT eco is ideal for replacing the old Loovent 01C or existing Loovent 01 as the spigot position is identical and the back plates are the same size keeping reworking to a minimum.



Models

Timer / SELV T Timer can be set to run on between 2 and 45 minutes

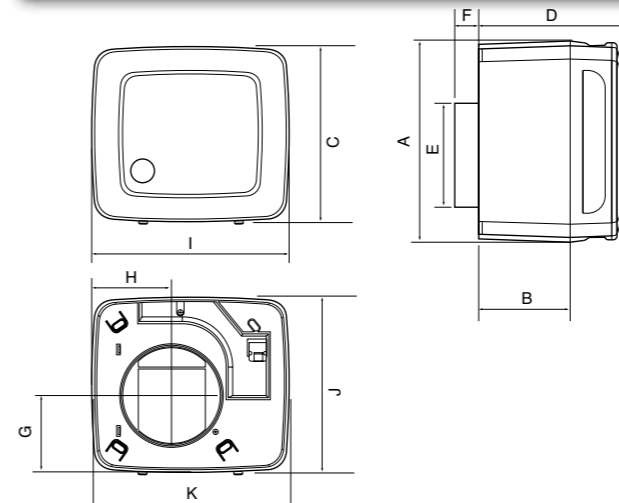
Humidity Timer / SELV HT Humidity sensor can be set between 40 - 90% RH

Technical Data

Specification	LOOVENT eco dMEV		
Air flow m ³ /hr (trickle / boost)	25 / 55	33 / 55	59 / 110
Air flow l/sec (trickle / boost)	7 / 15	9 / 15	16 / 31
Fan type	Centrifugal		
Controls	Timer / Humidity Timer		
Sound Pressure dB(A)@3m	25 / 46	25 / 46	28 / 46
Power watts	2.8 / 8.9	3 / 8.9	2.8 / 12
Amps	3		
Specific Fan Power (SFP)	0.40 / 0.59	0.32 / 0.59	0.17 / 0.40
Building Regulations ADF	Yes		
Duct diameter (mm)	100		
Voltage	100/240v-50/60Hz		
Rating	IPX5		
Weight (kg)	1,0		
Dimensions (H x W x D) mm	167 x 187 x 138		
Part No.	72684308 (T)	72684311 (HT)	
	72684312 (SELV)	72684313 (SELV)	



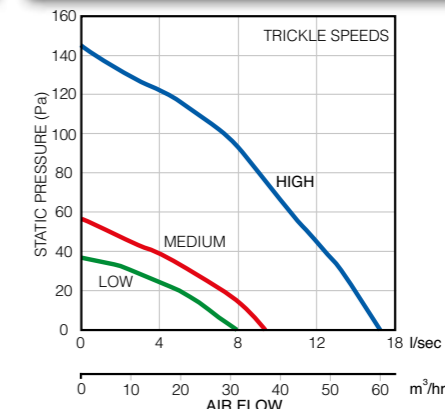
Dimensions (mm)



Model	A	B	C	D	E	F	G	H	I	J	K
LOOVENT eco	167	85.5	167	138.5	99	22	74.5	75	187	162.6	182.6



Performance



SAP Appendix Q Performance

Unit configuration	Location	Flow rate	Specification fan power (W/l/s)
In room	Kitchen	13.3 l/sec	0.18
	Wet room	7 or 9.3 l/sec	0.31
Through wall	Kitchen	16.9 l/sec	0.19
	Wet room	10.0 l/sec	0.33

Controls and Accessories

A range of accessories including flexible and rigid ducting kits, controls, switches and grilles are available.

See accessories for more details.

Loovent

Toilet and bathroom ventilation



Key Features

- Proven centrifugal fan
- Flow Rate up to 111 m³/hr
- Surface or recessed mounted
- Compact design - smallest 30 l/sec fan in class
- Well proven, centrifugal, filterless technology
- Integral magnetic anti-backdraught flap
- Thermally protected motor
- IPX4 rating
- TÜV approved
- Complies with Building Regulations
- 3 year warranty



TIMER

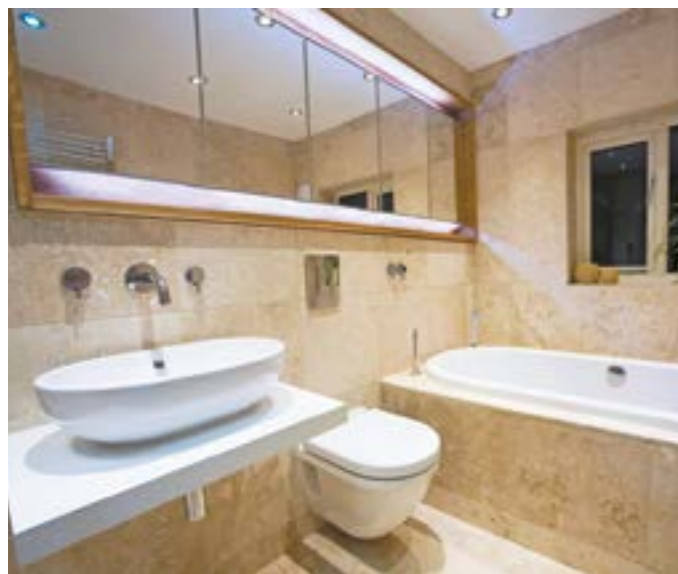
Loovent

Highly reliable and powerful fan in a modular design for ease of installation and maintenance.

Loovent centrifugal fans are perfect where longer duct runs are required as they are powerful enough to overcome pressure loss. All Loovents are designed to provide extraction levels that comply with the latest Building Regulations.

The Loovent fan offers an adjustable timer overrun control, ensuring efficient ventilation, which can be used with 100mm ducting. It provide the ideal solution for removing damp moist air, odours and airborne pollutants from en-suites, bathrooms and utility rooms.

The new LOOVENT eco range offers a full range of functionality including SAP Appendix Q approved dMEV versions.



Models

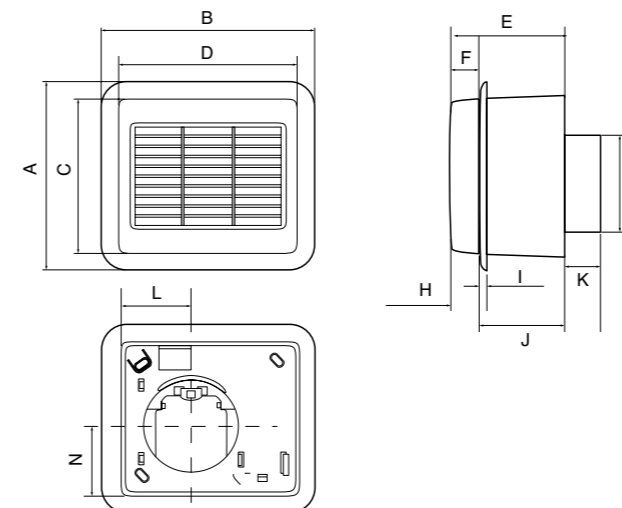
Timer	Remote switch with run on timer adjustable between 5 and 45 minutes
-------	---

Technical Data

Specification	Loovent TM 01
Air flow m ³ /hr	111
Air flow l/sec	31
Fan type	Centrifugal
Controls	Timer
Mounting	Surface / Recess
	Wall / Ceiling
Sound Pressure dB(A)@3m	58
Power watts	30
Amps	2
Building Regulations ADF	Yes
Duct diameter (mm)	100
Voltage	230v / 1ph / 50Hz
Rating	IPX4
Material finish	ABS
Weight (kg)	1.5
Dimensions (H x W x D) mm	162 x 181 x 112
Part No.	71766401

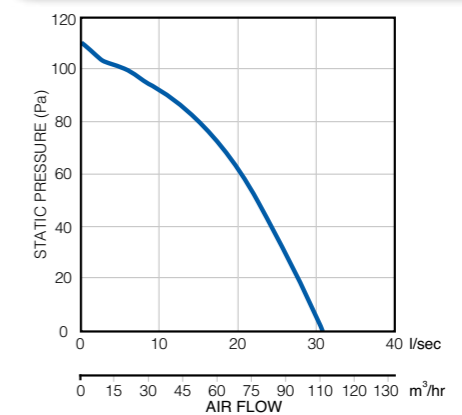


Dimensions (mm)



Model	A	B	C	D	E	F	G	H	I	J	K	L	N
Loovent	199	217	162	181	112	26	97	31-33	4-8	85	35	72	72

Performance



Controls and Accessories

A range of accessories including flexible and rigid ducting kits, controls, switches and grilles are available.

See accessories for more details.

Roomvent

Bathroom and utility room ventilation



Key Features

- Powerful centrifugal fan
- Flow rate up to 173 m³/hr
- Easy to fit airbrick size case
- Fixing pack supplied including bezel
- Recess or surface mounted to a wall or ceiling (bezel supplied)
- Integral magnetic backdraught flap
- Thermally protected motor
- IPX4 rating
- Complies with Building Regulations
- 3 year warranty



TIMER

Roomvent

Highly reliable and powerful centrifugal fan in a modular design for ease of installation and maintenance. The Roomvent is designed to provide extraction levels that comply with the latest Building Regulations.

Operated by adjustable timer, via a light or optional door switch. The Roomvent range comprises a selection of high performance fans for higher performance ventilation.

They are the ideal solution for removing damp moist air, odours and airborne pollutants from larger rooms. The motor, fan and plug-in timer are on a separate chassis for easy installation.



Models

Timer Remote Switch with timer which can be set to run on between 3 and 50 minutes

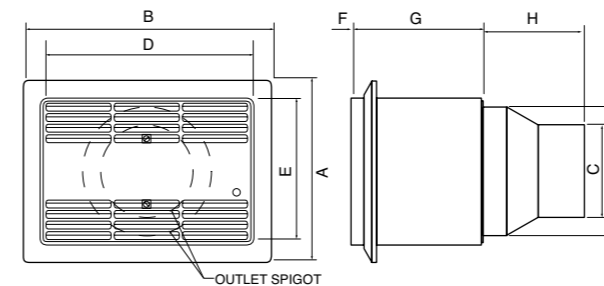
Wall Fan Timer Fan with timer to run on between 3 and 50 minutes



Technical Data

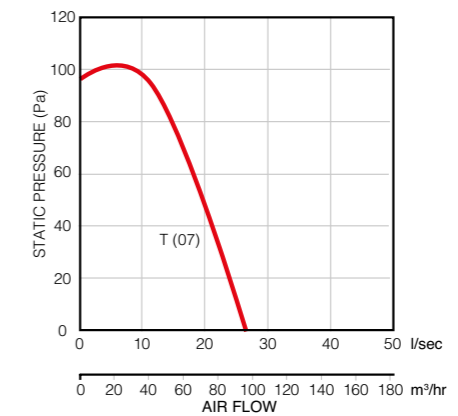
Specification	Roomvent T (07)	Roomvent WFT
Air flow m ³ /hr / l/sec	97 / 27	173 / 48
Fan type	Centrifugal	Centrifugal
Controls	Timer	Timer
Mounting	Wall / Ceiling	Wall / Ceiling
Sound pressure dB(A)@3m	50	60
Power watts	50	50
Amps	2	2
Building Regulations ADF	Yes	Yes
Duct diameter (mm)	100	100
Voltage	230v / 1ph / 50Hz	230v / 1ph / 50Hz
Rating	IPX4	IPX4
Material finish	ABS	ABS
Weight (kg)	2.15	3.10
Dimensions (H x W x D) mm	156 x 228 x 252	156 x 228 x 252
Part No.	71616301	71616501

Dimensions (mm)



Model	A	B	C	D	E	F	G	H	I
Roomvent	196	270	100	228	156	27	115	110	140

Performance



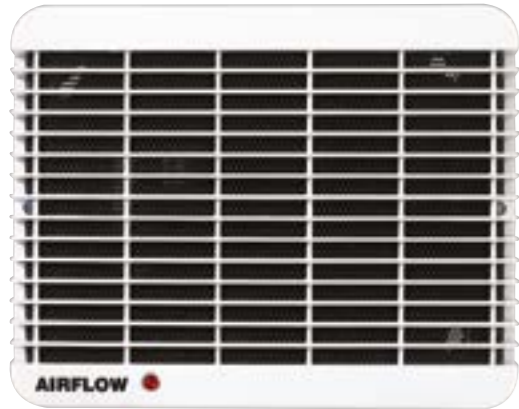
Controls and Accessories

A range of accessories including flexible and rigid ducting kits, controls, switches and grilles are available.

See accessories for more details.

Supervent

Kitchen ventilation



Key Features

- Powerful centrifugal fan
- Flow rate up to 260 m³/hr
- Two speed versions available
- Recess or surface mounted into a wall or ceiling (bezel supplied)
- Window fitting with optional window kit
- Easy to clean, integral, re-usable grease filter
- Thermally protected motor
- Easy to fit with 100mm outlet
- Demco approved
- Integral magnetic backdraught flap
- IPX4 rating
- Complies with Building Regulations
- 3 year warranty

Supervent range

Highly reliable and powerful centrifugal fan in a modular design for ease of installation and maintenance. The Supervent is designed to provide extraction levels that comply with the latest Building Regulations.

Supervent fans are small in size but big in performance. This range of powerful fans provides compact units that are ideal for almost any kitchen application. A

centrifugal fan that is simple to install and exceptionally versatile, delivering 150mm fan performance levels through 100mm ducting. These are the ideal solution for removing damp moist air, odours and airborne pollutants from kitchens.

The washable, built-in grease filter protects the motor in kitchen applications.



Models

2 Speed Basic	Manual control by remote switch
Timer	Timer can be set to run on between 5 and 30 minutes Speed adjustment possible on the unit
Humidity Pull Cord	Humidity sensor adjustable between 40 and 90% RH with pull cord override

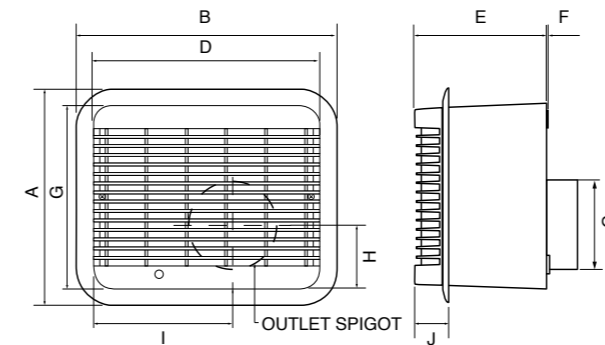


Technical Data

Specification	Supervent SV6	Supervent SV6T	Supervent SV6HP
Air flow m ³ /hr	68 / 245*	260	68 / 245 ¹⁰⁴
Air flow l/sec	19 / 68	72	19 / 68
Fan type	Centrifugal	Centrifugal	Centrifugal
Controls	2 Speed / Basic	Timer	Humidity / Pull Cord
Mounting	Wall/ Ceiling / Two Room	Wall / Ceiling / Two Room	Wall / Ceiling / Two Room
Sound Pressure dB(A)@3m	38 / 59	59	38 / 59
Power watts	20 / 90	20 / 90	20 / 90
Amps	2	2	2
Building Regulations ADF	Yes	Yes	Yes
Duct diameter (mm)	100	100	100
Voltage	230v / 1ph / 50Hz	230v / 1ph / 50Hz	230v / 1ph / 50Hz
Rating	IPX4	IPX4	IPX4
Material finish	ABS	ABS	ABS
Weight (kg)	2.90	2.90	2.90
Dimensions (H x W x D) mm	200 x 250 x 143	200 x 250 x 143	200 x 250 x 143
Part No.	71908801	72357001	71939302

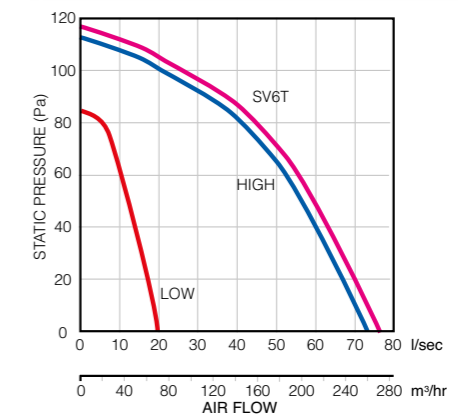
* Single speed selectable +Two speed

Dimensions (mm)



Model	A	B	C	D	E	F	G	H	I	J
Supervent	236	286	97	250	143	2	200	69	153	37

Performance



Controls and Accessories

A range of accessories including flexible and rigid ducting kits, controls, switches and grilles are available.

See accessories for more details.



Aventa In-Line

Bathroom, en-suite, utility room and kitchen ventilation

Key Features

- In-line mixed flow fans
- Flow rate up to 280 m³/hr
- Designed for ducted installations
- High pressure, low noise
- Compact and quiet in operation
- Two speed (normal and boost)
- Adjustable overrun timer version
- Access to monitor and impeller without dismantling ductwork
- Low watt motor from 21w
- IPX4 rating
- Complies with Building Regulations
- 3 year warranty



Aventa In-Line range

The Aventa range provides compact, quiet and powerful remote mounted ventilation for ducted installations. Available in high performance, two speed versions they are less bulky than larger in-line centrifugal fans and can be installed in loft spaces or service shafts for remote extraction.

With high flow / high pressure development characteristics they can be used with flexible ducting and flat duct systems to ensure compliance with Building

Regulations guidance ensuring installed performance and extraction conditions are met.

Combining two Aventa fans allows for even more powerful operation. Mounting in parallel (left hand image on facing page) doubles the air flow, whilst two fans in series (right hand image on facing page) leads to a doubling of the air pressure for longer duct runs.



Applications

- Basic** Basic remote switching
- Timer** Timer can be set to run on between 2 and 30 minutes

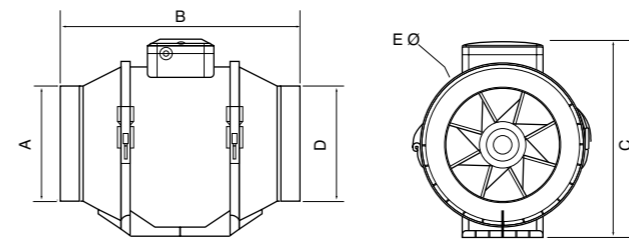


Technical Data

Specification	Aventa 100B	Aventa 100T	Aventa 125B	Aventa 125T
Air flow m ³ /hr*	145 / 187	145 / 187	220 / 280	220 / 280
Air flow l/sec*	40 / 52	40 / 52	66 / 88	66 / 88
Fan type	Mixed Flow	Mixed Flow	Mixed Flow	Mixed Flow
Controls	Basic	Timer	Basic	Timer
Mounting	In-Line	In-Line	In-Line	In-Line
Sound Pressure dB(A)@3m	27 / 36	27 / 36	28 / 37	28/37
Power watts	21 / 33	21 / 33	23 / 37	23/37
Amps	0.11 / 0.21	0.11 / 0.21	0.18 / 0.27	0.18 / 0.27
Building Regulations ADF	Yes	Yes	Yes	Yes
Duct diameter (mm)	100	100	125	125
Voltage	230v / 1ph / 50Hz	230v / 1ph / 50Hz	230v / 1ph / 50Hz	230v / 1ph / 50Hz
Rating	IPX4	IPX4	IPX4	IPX4
Material finish	ABS	ABS	ABS	ABS
Weight (kg)	1.5	1.5	1.5	1.5
Dimensions (H x W x D) mm	190 x 246 x 126	190 x 246 x 126	190 x 246 x 136	190 x 246 x 136
Part No.	9041085	9041086	9041087	9041088

* Air flow at free discharge

Dimensions (mm)



Model	A	B	C	D	E
AV100	96	246	190	126	167
AV125	123	246	190	136	167

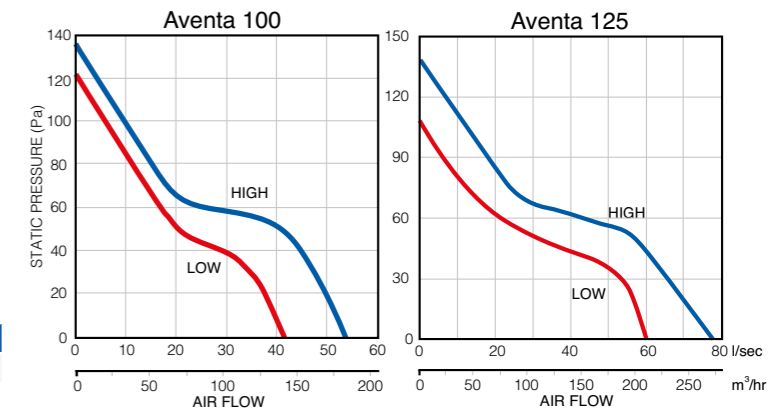
Double the flow - mount in parallel



Double the pressure - mount in series



Performance



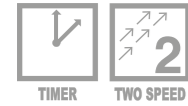
Controls and Accessories

A range of accessories including flexible and rigid ducting kits, controls, switches and grilles are available.

See accessories for more details.

Aventa Shower Kit

Shower ventilation



Key Features

- In-line mixed flow fan
- Flow rate up to 280 m³/hr
- Designed for ducted installations
- High pressure, low noise
- Compact and quiet in operation
- Two speed (normal and boost)
- Adjustable overrun timer version
- Access to motor and impeller without dismantling ductwork
- Low watt motor from 25w
- IPX4 rating
- Complies with Building Regulations
- 3 year warranty

Aventa Shower Kit

The Aventa range provides compact, quiet and powerful remote mounted ventilation for ducted installations.

Available in high performance, two speed versions they are less bulky than larger in-line centrifugal fans and can be installed in loft spaces or service shafts for remote extraction.

With high flow/high pressure development characteristics they are ideal for the longer duct runs. The kit comes with 6m flexible ducting which can be cut to go either side of the fan. This kit meets latest building regulations.



ALWAYS PULL FLEXIBLE DUCTING TAUGHT TO ENSURE INSTALLED PERFORMANCE AIR FLOW.



Applications

Timer Timer can be set to run on between 2 and 30 minutes

Contents of Kit

- 9041407** AVT 100T, 6m flex duct, ties, extract valve, external grille
- 9041408** AVT 100T, 6m flex duct, ties, halogen light, chrome and white grilles and external grille
- 9041406** AVT 125T, 6m flex duct, ties, extract valve, external grille

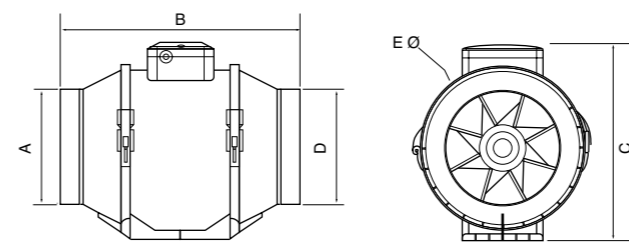


Technical Data

Specification	Aventa 100T Shower Kit	Aventa 100T Shower Kit with Light	Aventa 125T Shower Kit
Air flow m ³ /hr*	145 / 187	145 / 187	220 / 280
Air flow l/sec*	40 / 52	40 / 52	66 / 88
Fan type	Mixed Flow	Mixed Flow	Mixed Flow
Controls	Timer	Timer	Timer
Mounting	In-Line	In-Line	In-Line
Sound pressure dB(A)@3m	27 / 36	27 / 36	28 / 37
Power watts	21 / 33	21 / 33	23 / 37
Amps	0.11 / 0.21	0.11 / 0.21	0.18 / 0.27
Building Regulations ADF	Yes	Yes	Yes
Duct diameter (mm)	100	100	125
Voltage	230v / 1ph / 50Hz	230v / 1ph / 50Hz	230v / 1ph / 50Hz
Rating	IPX4	IPX4	IPX4
Material finish	ABS	ABS	ABS
Weight (kg)	1.5	1.5	1.5
Dimensions (H x W x D) mm	190 x 246 x 126	190 x 246 x 126	190 x 246 x 136
Part No.	9041407	9041408	9041406

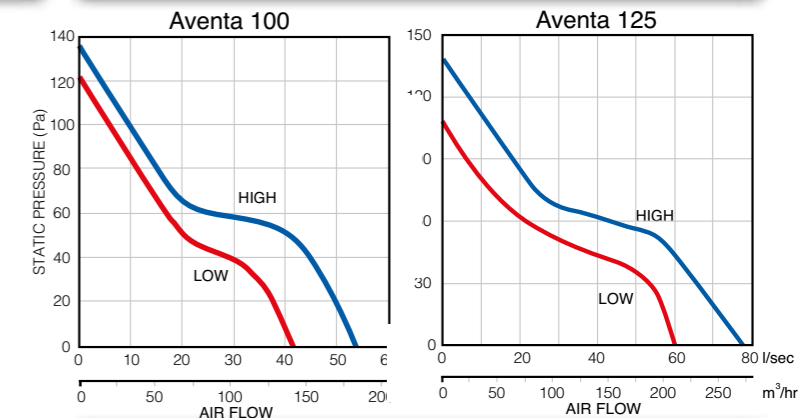
* Air flow at free discharge

Dimensions (mm)



Model	A	B	C	D	E
AV100	96	246	190	96	167
AV125	123	246	190	123	167

Performance



Controls and Accessories

A range of accessories including flexible and rigid ducting kits, controls, switches and grilles are available.

See accessories for more details.



Air Flow Solutions



Always Innovating

Our constant search for new and better ways to save energy, improve the indoor environment and provide you with high quality, reliable and easy to use products that contribute to a low carbon future continues.

visit: airflow.com

for the latest, products, data sheets, application advice and information

Customer Services : 01494 560800

Technical Support : 01494 560950

CI/SfB
(57)



Call: 01494 560800

Visit: airflow.com



Airflow Developments Limited
Aidelle House, Lancaster Road,
Cressex Business Park,
High Wycombe, Buckinghamshire,
United Kingdom, HP12 3QP

E-mail: info@airflow.com
Telephone: +44 (0) 1494 525252

airflow.com

© Airflow Developments Limited. Airflow Developments Limited reserve the right, in the interests of continuous development, to alter specifications without prior notice. All orders are accepted subject to our conditions of sale which are available on request



80000191 - Issue4 03/17